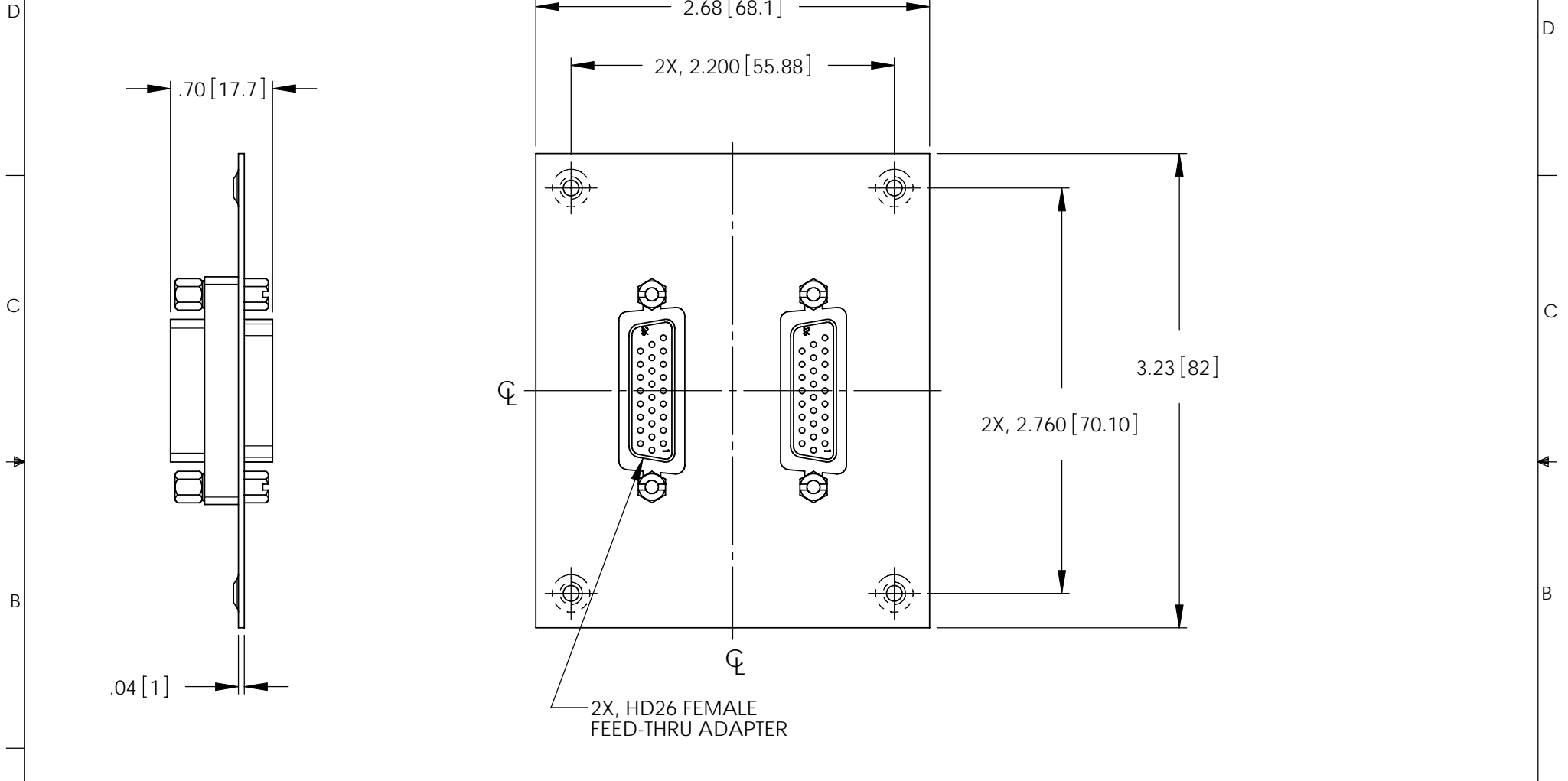


THE INFORMATION CONTAINED IN THIS DRAWING IS THE SOLE PROPERTY OF L-COM, INC. ANY REPRODUCTION IN PART OR WHOLE WITHOUT THE WRITTEN PERMISSION OF L-COM, INC. IS PROHIBITED.

REVISIONS			
REV	DESCRIPTION	DATE	APPROVED
A	INITIAL RELEASE	3/15/07	D.FRISIELLO
B	ECN 2802: REMOVE L-COM LOGO	3/30/07	D.FRISIELLO

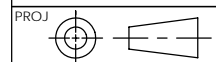


2X, HD26 FEMALE  
FEED-THRU ADAPTER

NOTES:

1. PANEL MATERIAL: .06 [1.5] THK COLD ROLLED STEEL.
2. PANEL FINISH: FLAT BLACK POWDER COAT.
3. KIT CONTAINS 4, #6-32 UNC SCREWS.

DIMENSIONS ARE IN INCHES [mm]  
UNLESS OTHERWISE SPECIFIED,  
TOLERANCES TO BE:  
.X ±1 [25] ANGLES ±2°  
.XX ±.01 [25]  
.XXX ±.005 [13]  
OVERALL CABLE LENGTH TOL:  
≤ 60 [1524] +3 [76.2] / - 0  
> 60 [1524] +5% / -0%



APPROVALS	DATE
DRAWN BY D.FRISIELLO	3/15/07
CHECKED BY P.McNEIL	3/15/07
APPROVED BY J.ROBERTS	3/15/07

CONFIGURATION DETAILS OF  
UNDIMENSIONED FEATURES  
MAY VARY

<b>L-com</b> CONNECTIVITY PRODUCTS		45 BEECHWOOD DRIVE NORTH ANDOVER, MA 01845	
CATEGORY USP SUB PANEL			
PRODUCT DESCRIPTION USP SUB PANEL, W/2 HD26 FEMALE FEED-THRU COUPLER			
SIZE <b>A</b>	FSCM NO. <b>43321</b>	DWG. NO. USP2HDB26FB	REV. <b>B</b>
SCALE: FULL		CAD FILE: USP2HDB26FB.SLDDRW	SHEET 1 OF 1