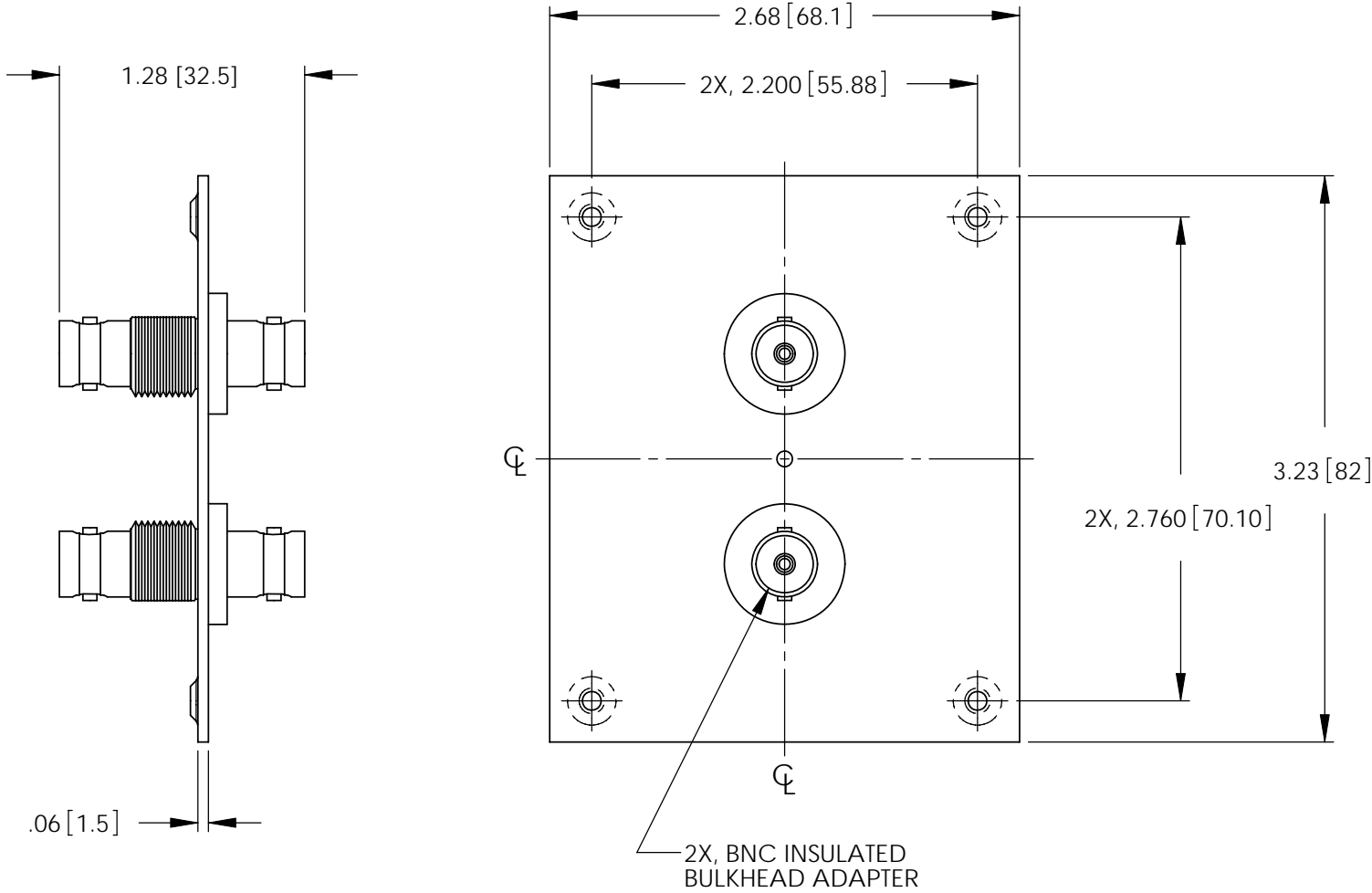


THE INFORMATION CONTAINED IN THIS DRAWING IS THE SOLE PROPERTY OF L-COM, INC. ANY REPRODUCTION IN PART OR WHOLE WITHOUT THE WRITTEN PERMISSION OF L-COM, INC. IS PROHIBITED.

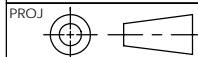
| REVISIONS | | | |
|-----------|--|----------|--------------|
| REV | DESCRIPTION | DATE | APPROVED |
| A | INITIAL RELEASE | 3/19/07 | D.FRISIELLO |
| B | ECN2970: DIM 1.28 [32.5] WAS 1.40 [35.5] | 08/28/07 | R.POLUBINSKI |
| | | | |
| | | | |



NOTES:

1. PANEL MATERIAL: .06 [1.5] THK COLD ROLLED STEEL..
2. PANEL FINISH: FLAT BLACK POWDER COAT.
3. KIT CONTAINS 4, #6-32 UNC SCREWS.

DIMENSIONS ARE IN INCHES [mm]
 UNLESS OTHERWISE SPECIFIED,
 TOLERANCES TO BE:
 .X ± 1 [2.5] ANGLES ± 2°
 .XX ± 01 [.25]
 .XXX ± 005 [.13]
 OVERALL CABLE LENGTH TOL:
 ≤ 60 [1524] +3 [76.2] / -0
 > 60 [1524] +5% / -0%



| APPROVALS | DATE |
|--------------------------|---------|
| DRAWN BY D.FRISIELLO | 3/19/07 |
| CHECKED BY P.McNEIL | 3/19/07 |
| APPROVED BY J.ROBERTS | 3/19/07 |

CONFIGURATION DETAILS OF
 UNDIMENSIONED FEATURES
 MAY VARY

| | | | |
|--|--------------------------|--|------------------|
| L-com CONNECTIVITY PRODUCTS | | 45 BEECHWOOD DRIVE NORTH ANDOVER, MA 01845 | |
| CATEGORY | | USP SUB PANEL | |
| PRODUCT DESCRIPTION | | | |
| USP SUB PANEL, W/2 BNC INSULATED BULKHEAD COUPLER | | | |
| SIZE A | FSCM NO. 43321 | DWG. NO. USP2BDB | REV. B |
| SCALE: FULL | CAD FILE: USP2BDB.SLDDRW | | SHEET 1 OF 1 |