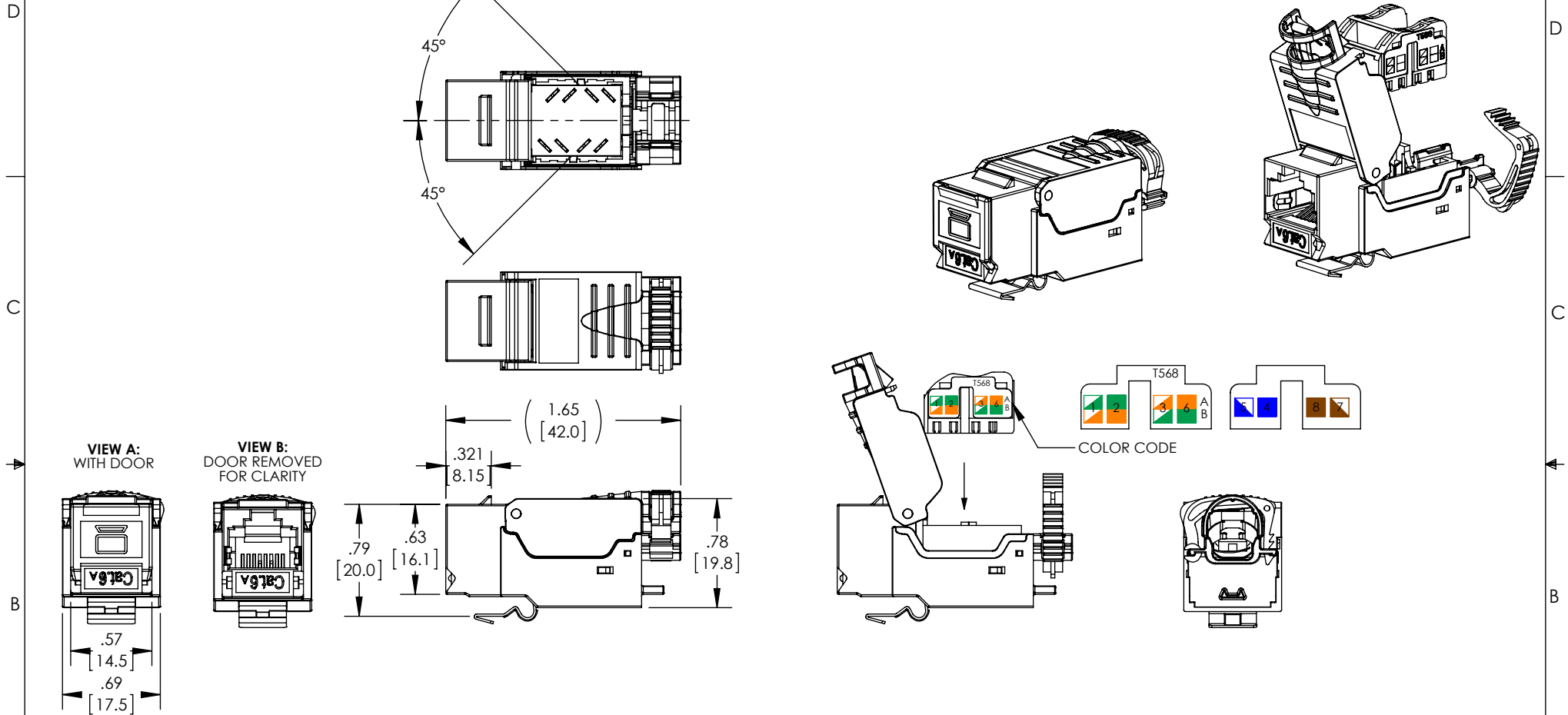


THE INFORMATION CONTAINED IN THIS DRAWING IS THE SOLE PROPERTY OF L-COM, INC. ANY REPRODUCTION IN PART OR WHOLE WITHOUT THE WRITTEN PERMISSION OF L-COM, INC. IS PROHIBITED.

REVISIONS			
REV	DESCRIPTION	DATE	APPROVED
A	INITIAL RELEASE	8/23/16	D.GRIFFIN



**SPECIFICATION:**  
 QUALIFIED SCREENED CLASS E<sub>a</sub>/CAT 6A  
 PERMANENT LINK & CHANNEL  
 ANSI/TIA-568-C.2  
 IEC 60603-7-51  
 ISO/IEC 11801 2.2 EDITION  
 CENELEC EN 50173-1:2011

**ELECTRICAL:**  
 CURRENT RATING: 1.5 AMPS  
 INSULATION RESISTANCE: 500 MOhm MINIMUM  
 CONTACT RESISTANCE: 20 MOhm MAXIMUM  
 DC RESISTANCE: 0.1 OHM MAXIMUM

**MECHANICAL:**  
 PLUG INSERTION LIFE: 750 CYCLES MINIMUM  
 PLUG & JACK CONTACT FORCE:  
 100 GRAMS MINIMUM  
 USING FCC-APPROVED PLUG  
 PLUG RETENTION FORCE: 30 LBS MINIMUM  
 TEMPERATURE: -40° TO 150°F (-40° TO 68°C)

**PHYSICAL:**  
 HOUSING & CAP & BUNDLE: ZINC ALLOY DIE-CAST  
 PCB HOLDER & WIRE MANAGER & IDC HOLDER:  
 HIGH IMPACT FLAME RETARDANT PLASTIC  
 SHIELDING: 0.20t PHOSPHOR BRONZE NICKEL PLATING  
 PCB: FR4, 1.6mm THICKNESS  
 JACK WIRE: PHOSPHOR BRONZE  
 GOLD OVER NICKEL PLATING  
 CONNECTOR: INSULATION DISPLACEMENT CONNECTOR  
 (IDC) ACCEPT #23~26 AWG SOLID WIRE

**MISCELLANEOUS:**  
 COMPONENT SHALL BE INDIVIDUALLY PACKAGED IN  
 ACCORDANCE WITH L-COM SPECIFICATION PS-0031.

**REGULATORY COMPLIANCE:**  
 CE2011/65/EU (RoHS DIRECTIVE)

UNLESS OTHERWISE SPECIFIED, DIMENSIONS ARE IN INCHES [mm] OVERALL CABLE LENGTH TOLERANCE: ≤12 [305] = +1 [25] / -0 >12 [305] ≤60 [1524] = +2 [51] / -0 >60 [1524] ≤120 [3048] = +4 [102] / -0 >120 [3048] ≤300 [7620] = +6 [152] / -0 >300 [7620] = +5% / -0%	APPROVALS	DATE		50 HIGH STREET NORTH ANDOVER, MA 01845		
	DRAWN BY D. DESJARDIN	8/22/16				
ALL OTHER DIMENSIONAL TOLERANCES: .X = ± .2 [5.08] .XX = ± .02 [51] .XXX = ± .005 [1.27]	CHECKED BY D. FRISIELLO	8/22/16	CATEGORY TELECOM/MODULAR			
	APPROVED BY D. GUTTADAURO	8/22/16	PRODUCT DESCRIPTION RJ45 FIELD-TERM C6A SHLD JACK WITH DOOR			
PROJECTION 	CONFIGURATION DETAILS OF UNDIMENSIONED FEATURES MAY VARY	COLOR VARIATIONS MAY OCCUR	SIZE <b>A</b>	FSCM NO. <b>43321</b>	DWG. NO. TSPFTC6ASJ	REV. <b>A</b>
SCALE: NONE			CAD FILE: TSPFTC6ASJ.SLDDRW		SHEET 1 OF 1	