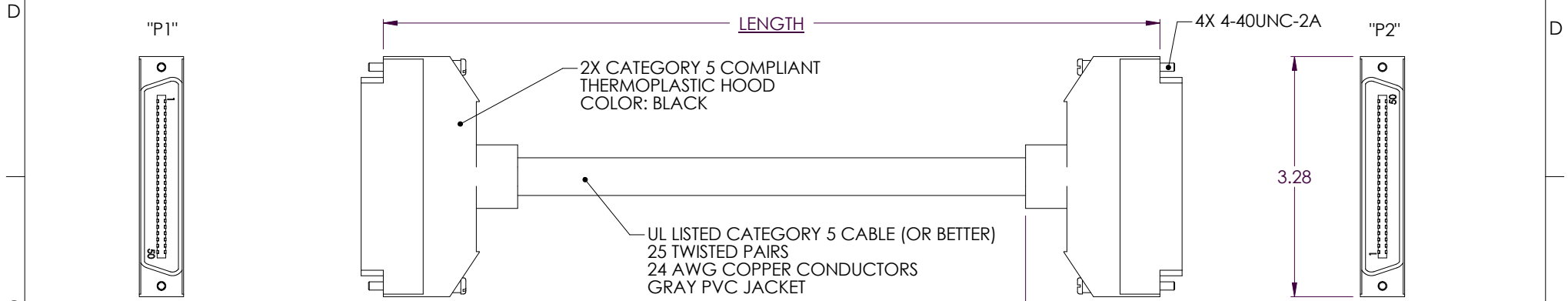


THE INFORMATION CONTAINED IN THIS DRAWING IS THE SOLE PROPERTY OF L-COM, INC. ANY REPRODUCTION IN PART OR WHOLE WITHOUT THE WRITTEN PERMISSION OF L-COM, INC. IS PROHIBITED.

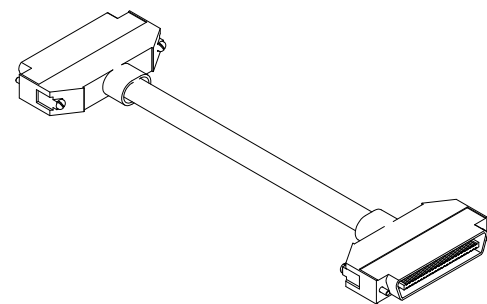
REVISIONS			
REV	DESCRIPTION	DATE	APPROVED
A	RELEASED FOR PRODUCTION	7/31/01	D. PARHAM
B	REVISED PER ECN# 1086; ADDED 100' LENGTH	02/28/02	MCCORMICK
C	ECN#2266: UPDATED DRAWING FORMAT	12/06/05	D. PARHAM



MODEL	LENGTH	
	FEET	METERS
TDC550MM-5	5	1.52
TDC550MM-10	10	3.05
TDC550MM-15	15	4.57
TDC550MM-25	25	7.62
TDC550MM-50	50	15.24
TDC550MM-100	100	30.48

"P1"	PAIR	"P2"	"P1"	PAIR	"P2"
1	1	1	14	14	14
26	1	26	39	14	39
2	2	2	15	15	15
27	2	27	40	15	40
3	3	3	16	16	16
28	3	28	41	16	41
4	4	4	17	17	17
29	4	29	42	17	42
5	5	5	18	18	18
30	5	30	43	18	43
6	6	6	19	19	19
31	6	31	44	19	44
7	7	7	20	20	20
32	7	32	45	20	45
8	8	8	21	21	21
33	8	33	46	21	46
9	9	9	22	22	22
34	9	34	47	22	47
10	10	10	23	23	23
35	10	35	48	23	48
11	11	11	24	24	24
36	11	36	49	24	49
12	12	12	25	25	25
37	12	37	50	25	50
13	13	13			
38	13	38			

- NOTES:**
- ELECTRICAL:**
 - CABLE ASSEMBLY IS CATEGORY 5 RATED.
 - PACKAGING:**
 - THE PRODUCT SHALL BE PRESERVED & PACKAGED IN A MANNER WHICH WILL AFFORD ADEQUATE PROTECTION AGAINST CORROSION, DETERIORATION, AND PHYSICAL DAMAGE DURING SHIPMENT.
 - INDIVIDUALLY PACKAGE EACH ASSEMBLY UTILIZING APPROPRIATE SIZED BAG DEPICTED ON [LAN01-001-OD1](#). MARK EACH BAG PER [LSP-010-1](#).
 - WORKMANSHIP**
 - CABLE ASSEMBLIES SHALL BE MANUFACTURED IN SUCH A MANNER AS TO BE UNIFORM IN QUALITY AND SHALL BE FREE FROM BURRS, CRAZING, CRACKS, VOIDS, PIMPLES, CHIPS, BLISTERS, PINHOLES, SHARP CUTTING EDGES, AND OTHER DEFECTS THAT WILL ADVERSELY AFFECT LIFE, SERVICEABILITY, OR APPEARANCE.
 - VISUAL AND MECHANICAL**
 - CABLE ASSEMBLIES SHALL BE INSPECTED TO VERIFY COMPLIANCE TO THIS DRAWING.
 - ENVIRONMENTAL**
 - OPERATING TEMPERATURE RANGE: -20°C TO 60°C



UNLESS OTHERWISE SPECIFIED, DIMENSIONS ARE IN INCHES. TOLERANCES ARE:
 X ±.1
 XX ±.05
 XXX ±.005
 CABLE LENGTH TOLERANCE
 ≤300' ±5% >300' ±2%

APPROVALS	DATE
DRAWN BY D PARHAM	7/26/2001
CHECKED BY T CLARK	7/26/2001
APPROVED BY R CARRICK	7/31/2001

CONFIGURATION DETAILS OF UNDIMENSIONED FEATURES MAY VARY

	45 BEECHWOOD DRIVE NORTH ANDOVER, MA 01845	
	PRODUCT DESCRIPTION CABLE CAT5 CN50 M/M 180 DEGREE	
DRAWING TITLE OUTLINE DRAWING		REV. C
SIZE A	FSCM NO. 43321	DWG. NO. TDC550MM-5-OD1
SCALE: NONE		CAD FILE: TDC550MM-5-OD1.SLDDRW
		SHEET 1 OF 1