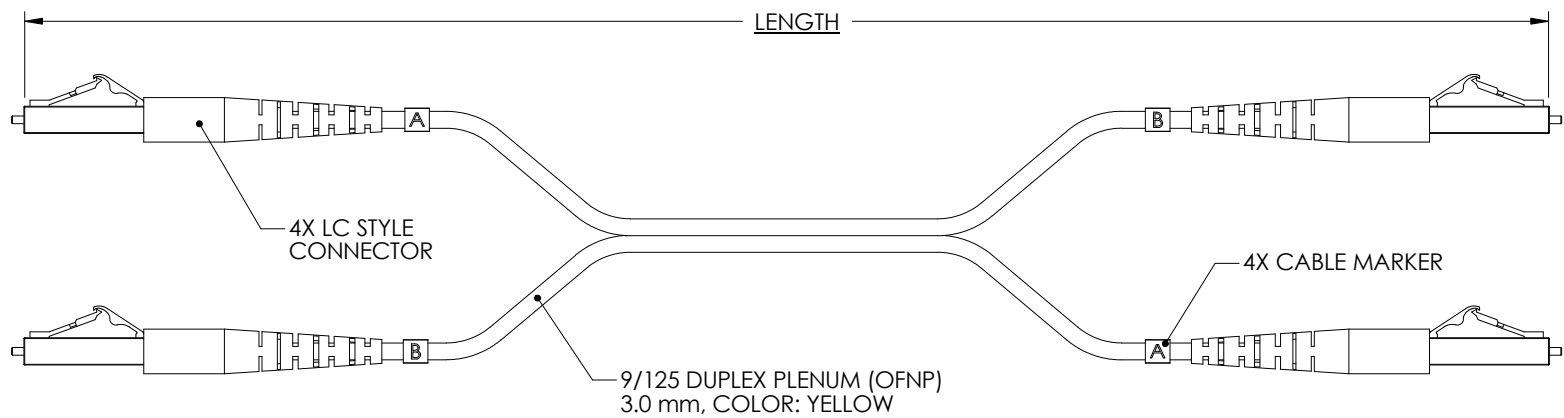


THE INFORMATION CONTAINED IN THIS DRAWING IS THE SOLE PROPERTY OF L-COM, INC. ANY REPRODUCTION IN PART OR WHOLE WITHOUT THE WRITTEN PERMISSION OF L-COM, INC. IS PROHIBITED.

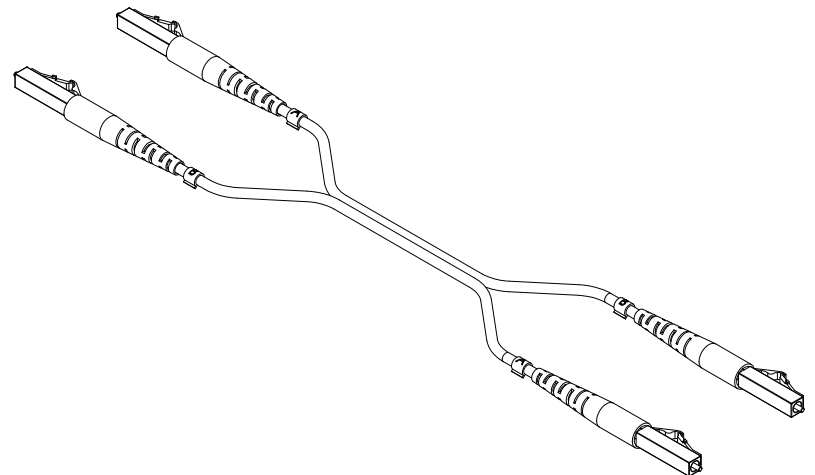
REVISIONS			
REV	DESCRIPTION	DATE	APPROVED
A	INITIAL RELEASE	12/02/05	MCCORMICK
B	ECN# 2248 CONSTRUCTION FROM 1.6mm TO 3.0mm	11/10/05	MCCORMICK



PART NUMBER	LENGTH METERS
SFODPLC-01	1.0
SFODPLC-02	2.0
SFODPLC-03	3.0
SFODPLC-04	4.0
SFODPLC-05	5.0

**NOTES:**

- 1.0 **TEST:**
  - 1.1 BACK REFLECTION TESTED AT 1310nm WITH A <-40.0 dB RESULT MIN.
- 2.0 **PACKAGING:**
  - 2.1 THE PRODUCT SHALL BE PRESERVED & PACKAGED IN A MANNER WHICH WILL AFFORD ADEQUATE PROTECTION AGAINST CORROSION, DETERIORATION, AND PHYSICAL DAMAGE DURING SHIPMENT.
  - 2.2 INDIVIDUALLY PACKAGE EACH ASSEMBLY UTILIZING APPROPRIATE SIZED BAG DEPICTED ON [1AN01-001-OD1](#) . MARK EACH BAG PER [LSP-010-1](#)
- 3.0 **WORKMANSHIP:**
  - 3.1 CABLE ASSEMBLIES SHALL BE MANUFACTURED IN SUCH A MANNER AS TO BE UNIFORM IN QUALITY AND SHALL BE FREE FROM DEFECTS THAT WILL ADVERSELY AFFECT LIFE, SERVICEABILITY, OR APPEARANCE.
- 4.0 **VISUAL AND MECHANICAL:**
  - 4.1. CABLE ASSEMBLIES SHALL BE INSPECTED TO VERIFY COMPLIANCE TO THIS DRAWING.
- 5.0 **MANUFACTURING:**
  - 5.1 CABLE ASSEMBLY UTILIZES "PC" POLISH TYPE.



UNLESS OTHERWISE SPECIFIED, DIMENSIONS ARE IN INCHES  
TOLERANCES ARE:  
X ±.1  
XX ±.05  
XXX ±.005  
CABLE LENGTH TOLERANCE  
≤300" ±5% >300" ±2%

APPROVALS	DATE
DRAWN BY C.MCCORMICK	12/02/2002
CHECKED BY D.PARHAM	12/02/2002
APPROVED BY R.CARRICK	12/02/2002

CONFIGURATION DETAILS OF UNDIMENSIONED FEATURES MAY VARY

		45 BEECHWOOD DRIVE NORTH ANDOVER, MA 01845	
PRODUCT DESCRIPTION <b>9/125 DUPLEX PLENUM CABLE ASSY</b>			
DRAWING TITLE <b>OUTLINE DRAWING</b>			
SIZE <b>A</b>	FSCM NO. <b>43321</b>	DWG. NO. <b>SFODPLC-1-OD1</b>	REV. <b>B</b>
SCALE: NONE		CAD FILE: SFODPLC-1-OD1.SLDDRW	
SHEET 1 OF 1			SHEET 1 OF 1