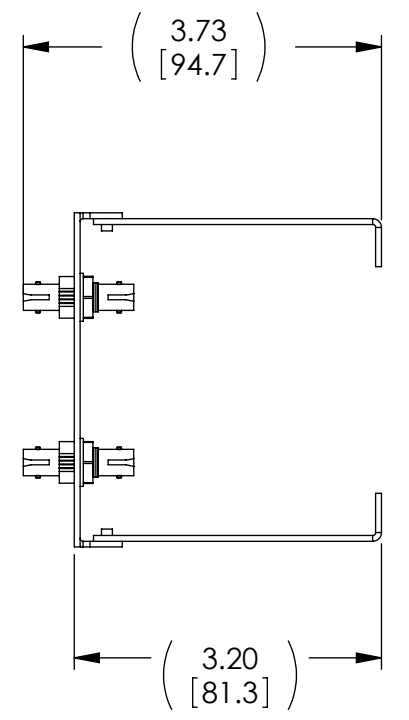
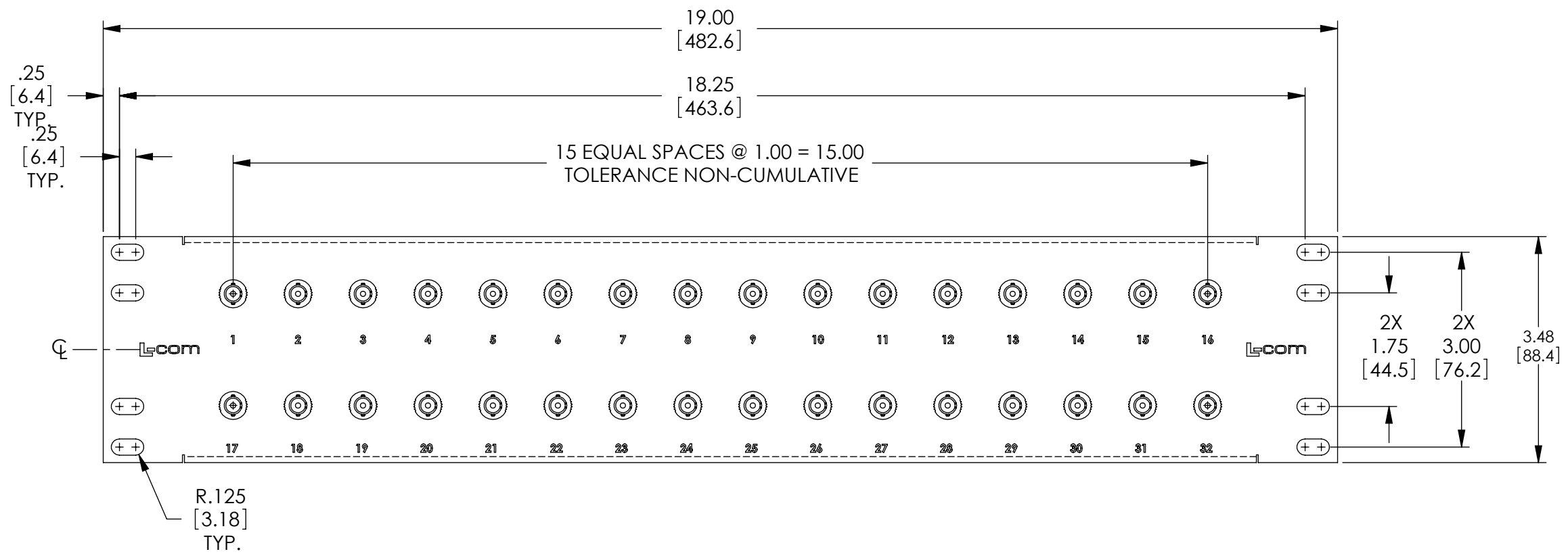
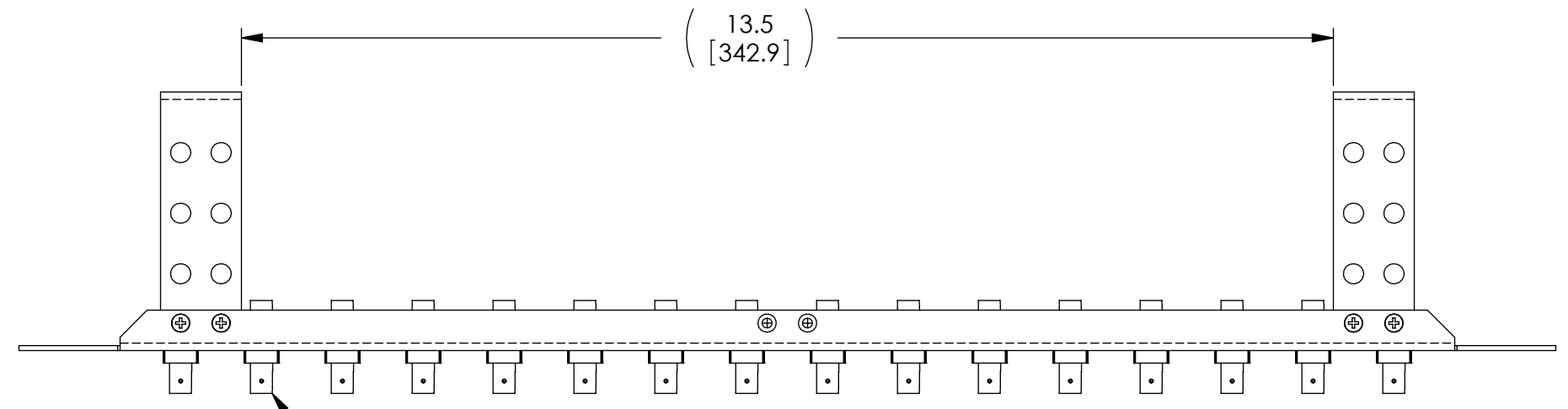


THE INFORMATION CONTAINED IN THIS DRAWING IS THE SOLE PROPERTY OF L-COM, INC. ANY REPRODUCTIONS IN PART OR WHOLE WITHOUT THE WRITTEN PERMISSION OF L-COM, INC. IS PROHIBITED.

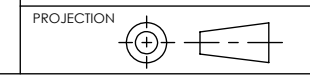
REVISIONS			
REV	DESCRIPTION	DATE	CHANGED BY
A	INITIAL RELEASE	11/08/06	MCCORMICK
B	ECN 5376: RE-MODELED AND RE-DIMENSIONED	3/18/11	D.FRISIELLO



- NOTES:
1. MATERIAL: .06 THICK COLD ROLLED STEEL.
 2. PANEL FINISH: FLAT BLACK POWDER COAT.
 3. SILKSCREEN COLOR: WHITE.
 4. PANEL ASSEMBLY SHALL BE PACKAGED IN ACCORDANCE WITH L-COM SPECIFICATION PS-0014.
 5. PANEL ASSEMBLY IS SHIPPED WITH DUST CAPS INSTALLED. (NOT SHOWN)

RoHS Compliant ✓

UNLESS OTHERWISE SPECIFIED, DIMENSIONS ARE IN INCHES [mm]
 OVERALL CABLE LENGTH TOLERANCE:
 ≤12 [305] = +1 [25] / -0
 >12 [305] ≤60 [1524] = +2[51] / -0
 >60 [1524] ≤120 [3048] = +4 [102] / -0
 >120 [3048] ≤300 [7620] = +6 [152] / -0
 >300 [7620] = +5% / -0%
 ALL OTHER DIMENSIONAL TOLERANCES:
 .X = ±.2
 .XX = ±.02
 .XXX = ±.005



APPROVALS	DATE
DRAWN BY C.MCCORMICK	11/08/2006
CHECKED BY R.EVANS	11/08/2006
APPROVED BY J.ROBERTS	11/08/2006

CONFIGURATION DETAILS OF UNDIMENSIONED FEATURES MAY VARY
 COLOR VARIATIONS MAY OCCUR

L-com Global Connectivity 45 BEECHWOOD DRIVE NORTH ANDOVER, MA 01845

CATEGORY RACK PANELS			
PRODUCT DESCRIPTION 2U RACK PNL W/32 ST SM CPLR+CMB			
SIZE B	FSCM NO. 43321	DWG. NO. PR35ST32CMB-SM	REV. B
SCALE: 1:2 CAD FILE: PR35ST32CMB-SM.SLDDRW			SHEET 1 OF 1