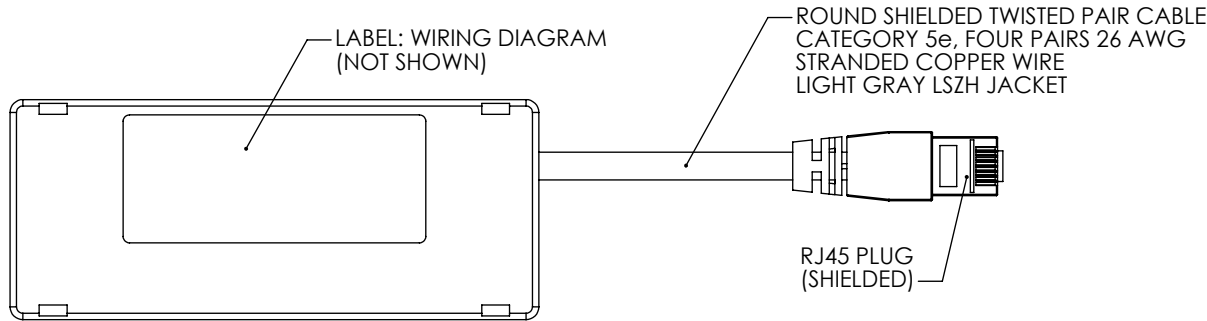
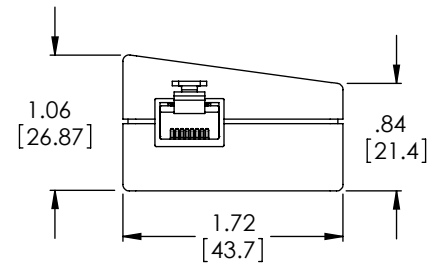
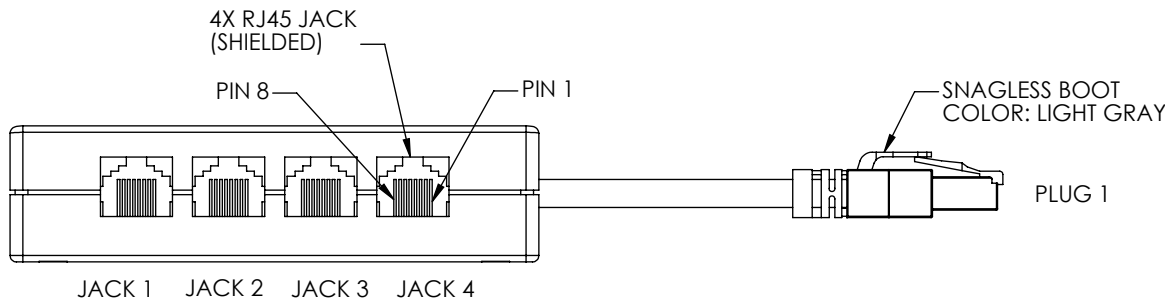
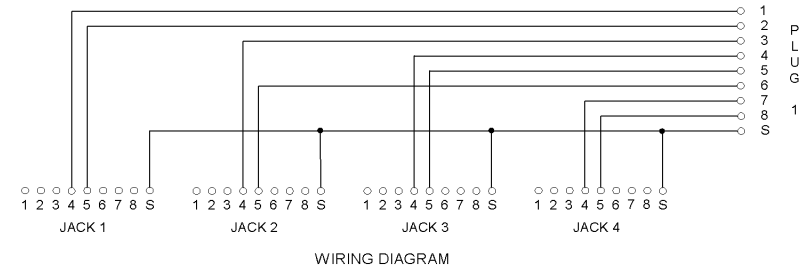
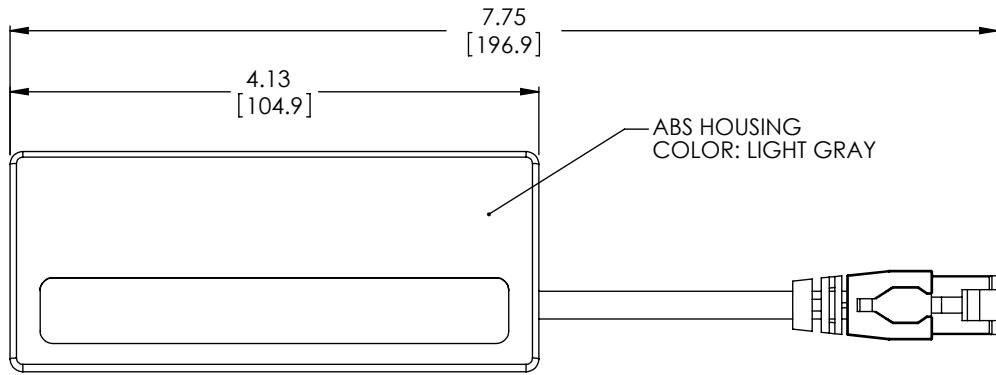


THE INFORMATION CONTAINED IN THIS DRAWING IS THE SOLE PROPERTY OF L-COM, INC. ANY REPRODUCTION IN PART OR WHOLE WITHOUT THE WRITTEN PERMISSION OF L-COM, INC. IS PROHIBITED.

REVISIONS			
REV	DESCRIPTION	DATE	APPROVED
A	RELEASED FOR PRODUCTION BY Z. WORONKO	01/31/02	D. PARHAM
B	ECN3656: UPDATED CABLE SPEC. UPDATED DRAWING FORMAT.	10/21/08	D. PARHAM
.	.	.	.
.	.	.	.



NOTE:
 1. ASSEMBLY COMES WITH 2 SELF-ADHERING FOAM STRIPS.
 2. INTERNAL CONNECTIONS MADE WITH INTEGRAL CIRCUIT BOARD.

UNLESS OTHERWISE SPECIFIED, DIMENSIONS ARE IN INCHES [mm] OVERALL CABLE LENGTH TOLERANCE: ≤ 12 [305] = +1 [25] / -0 >12 [305] ≤ 60 [1524] = +2 [51] / -0 >60 [1524] ≤ 120 [3048] = +4 [102] / -0 >120 [3048] ≤ 300 [7620] = +6 [152] / -0 >300 [7620] = +5% / -0% ALL OTHER DIMENSIONAL TOLERANCES: .X = .3 .XX = .15	APPROVALS DRAWN BY D PARHAM	DATE 12/14/2001		45 BEECHWOOD DRIVE NORTH ANDOVER, MA 01845	
	CHECKED BY T CLARK	DATE 12/17/2001		CATEGORY MODULAR	
	APPROVED BY R CARRICK	DATE 1/21/2002	PRODUCT DESCRIPTION SPLTR 4(8X8)JK/(8X8)M		
	CONFIGURATION DETAILS OF UNDIMENSIONED FEATURES MAY VARY PROJECTION 	COLOR VARIATIONS MAY OCCUR	SIZE A	FSCM NO. 43321	DWG. NO. PMOD4S-2
		SCALE: NONE	CAD FILE: PMOD4S-2.SLDDRW	REV. B	
			SHEET 1 OF 1		