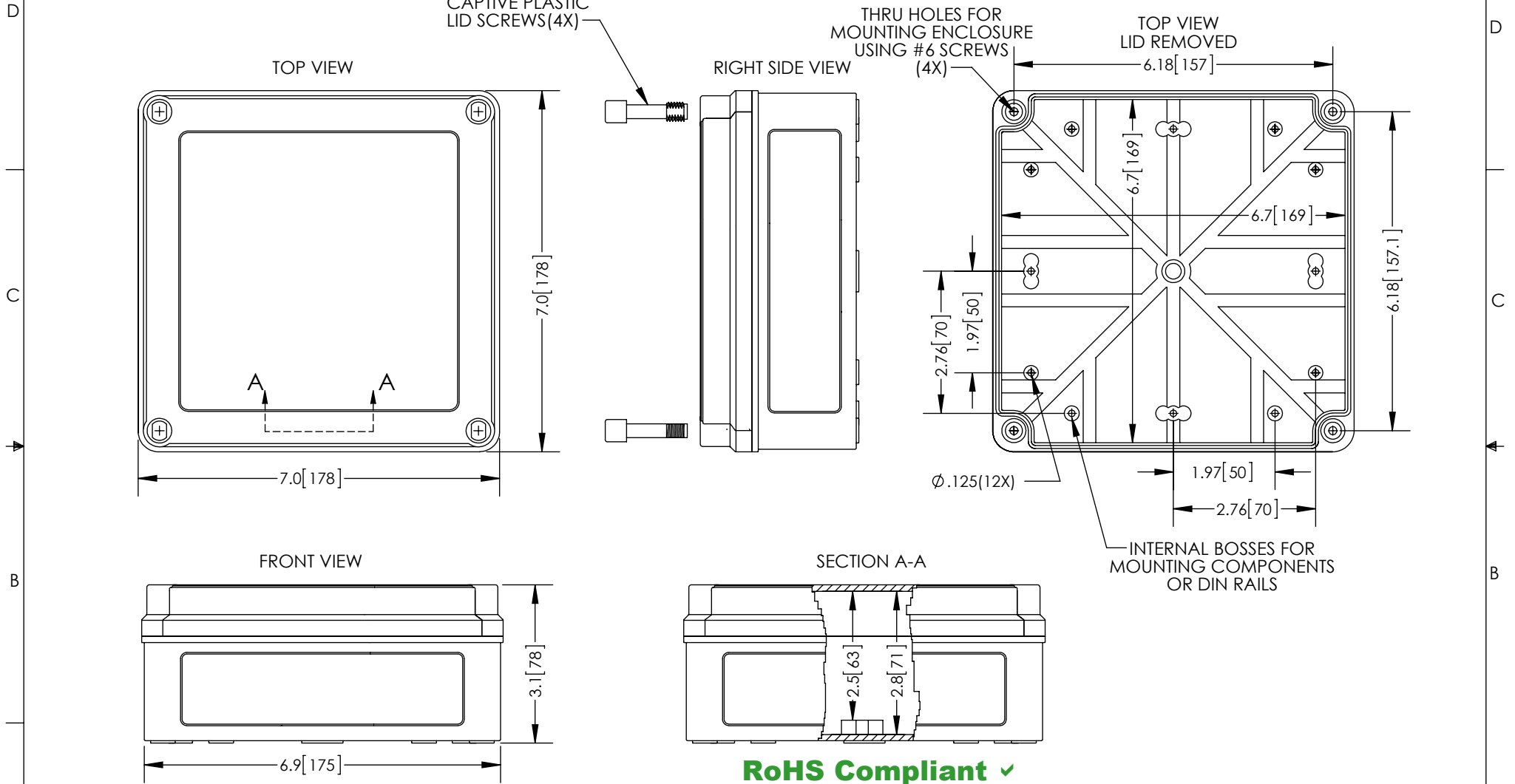


THE INFORMATION CONTAINED IN THIS DRAWING IS THE SOLE PROPERTY OF L-COM, INC. ANY REPRODUCTION IN PART OR WHOLE WITHOUT THE WRITTEN PERMISSION OF L-COM, INC. IS PROHIBITED.

REVISIONS			
REV	DESCRIPTION	DATE	APPROVED
A	INITIAL RELEASE	2/19/13	D.GRIFFIN



**NOTE:**  
 1- ENCLOSURE MATERIAL-GRAY (RAL7035) VALOX® 357U THERMOPLASTIC POLYESTER  
 2- NEMA RATED TYPE 3, 3R, 3S, 4, 4X, 12 AND 13 PRIOR TO MODIFICATIONS.  
 3- IEC 529 RATED IP 66 PRIOR TO MODIFICATION.  
 4- HEAT DEFLECTION TEMPERATURE UP TO 138 DEG C.  
 6- ENCLOSURES ARE MAINTENANCE FREE AND CORROSION RESISTANT.  
 7- SHALL BE PACKAGED AS PER L-COM SPEC PKG-00095  
 8- ALL DIMENSIONS FOR REFERENCE ONLY

**RoHS Compliant** ✓

UNLESS OTHERWISE SPECIFIED, DIMENSIONS ARE IN INCHES [mm]  DIMENSIONAL TOLERANCES: .X = ±.1 .XX = ±.01 .XXX = ±.005  ANGULAR TOLERANCES: ALL = ± 1°  PROJECTION 	APPROVALS DRAWN BY B.PUCHASKI	DATE 2/13/13		45 BEECHWOOD DRIVE NORTH ANDOVER, MA 01845	
	CHECKED BY P.PESA	DATE 2/13/13		CATEGORY ENCLOSURE	
	APPROVED BY P.PESA	DATE 2/13/13	PRODUCT DESCRIPTION PBT NEMA ENCLOSURE - 7 X 7 X 3 SCREW COVER		
	CONFIGURATION DETAILS OF UNDIMENSIONED FEATURES MAY VARY  COLOR VARIATIONS MAY OCCUR	SIZE <b>A</b>	FSCM NO. <b>43321</b>	DWG. NO. <b>NBV773</b>	REV. <b>A</b>
SCALE: NONE		CAD FILE: NBV773.SLDDRW		SHEET 1 OF 1	