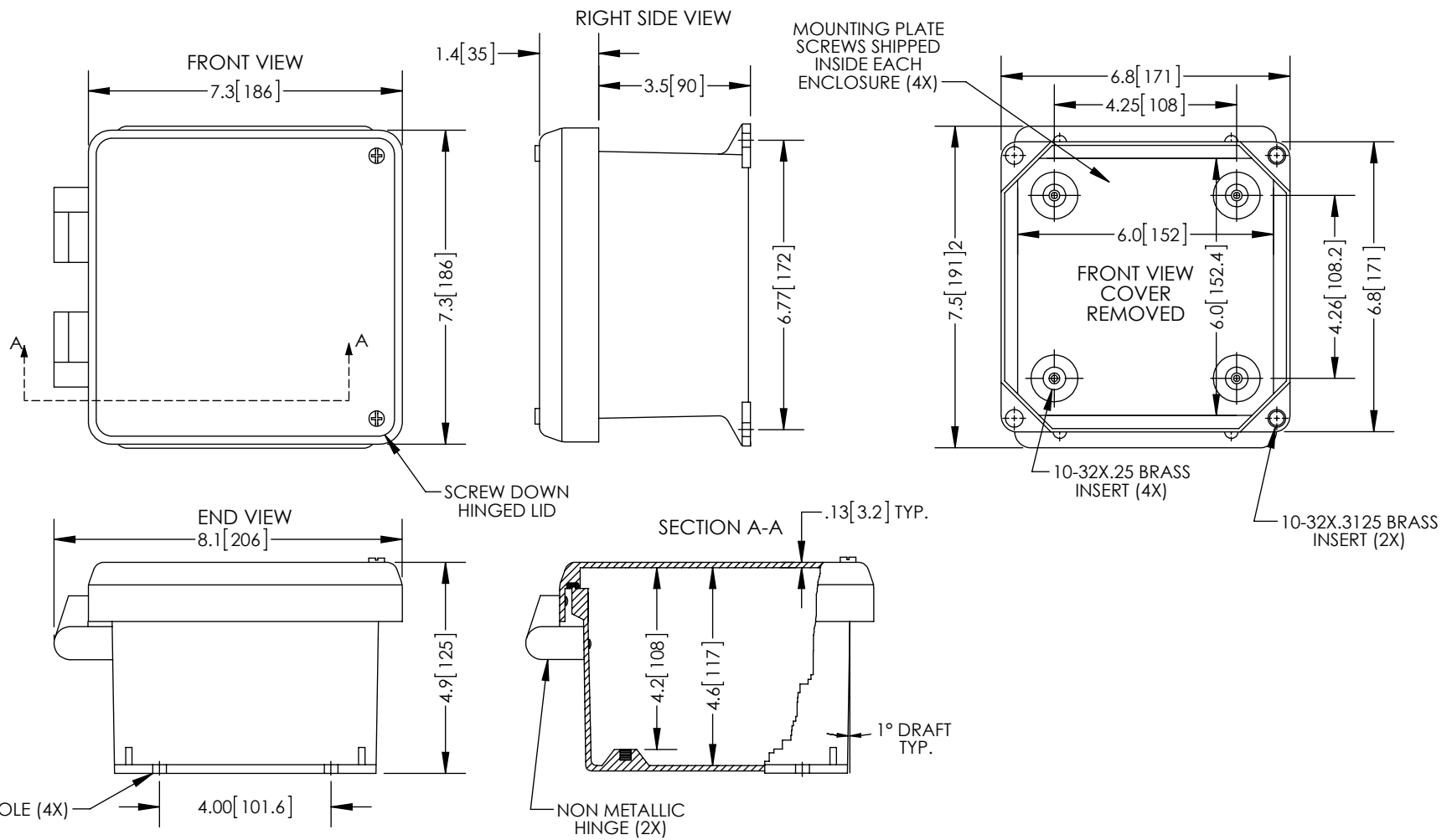


THE INFORMATION CONTAINED IN THIS DRAWING IS THE SOLE PROPERTY OF L-COM, INC. ANY REPRODUCTION IN PART OR WHOLE WITHOUT THE WRITTEN PERMISSION OF L-COM, INC. IS PROHIBITED.

REVISIONS			
REV	DESCRIPTION	DATE	APPROVED
A	INITIAL RELEASE	01/03/13	D.GRIFFIN



NOTE:
 1- ENCLOSURE MATERIAL-GRAY (RAL7035)
 HOT MOLDED FIBERGLASS REINFORCED POLYESTER
 2- NEMA RATED TYPE 3, 3R, 3S, 4, 4X, 12 AND 13 PRIOR TO MODIFICATIONS.
 3- IEC 529 RATED IP 66 PRIOR TO MODIFICATION.
 4- TEMPERATURE RANGE FROM -50 DEG C TO 150 DEG C.
 5- SELF EXTINGUISHING AND HALOGEN FREE
 6- ENCLOSURES ARE MAINTENANCE FREE AND CORROSION RESISTANT.
 7- SHALL BE PACKAGED AS PER L-COM SPEC PKG-00070
 8- ALL DIMENSIONS FOR REFERENCE ONLY

RoHS Compliant ✓

UNLESS OTHERWISE SPECIFIED, DIMENSIONS ARE IN INCHES [mm] DIMENSIONAL TOLERANCES: .X = ±.1 .XX = ±.01 .XXX = ±.005 ANGULAR TOLERANCES: ALL = ± 1° PROJECTION 	APPROVALS DRAWN BY B.PUCHASKI CHECKED BY P.PESA APPROVED BY P.PESA	DATE 01/03/13 01/03/13 01/03/13	 45 BEECHWOOD DRIVE NORTH ANDOVER, MA 01845 CATEGORY ENCLOSURE PRODUCT DESCRIPTION FRP NEMA ENCLOSURE - 6 X 6 X 4 NM HINGE W/SCREW COVER	REV. A
	COLOR VARIATIONS MAY OCCUR SCALE: NONE CAD FILE: NBN060604.SLDRW SHEET 1 OF 1			