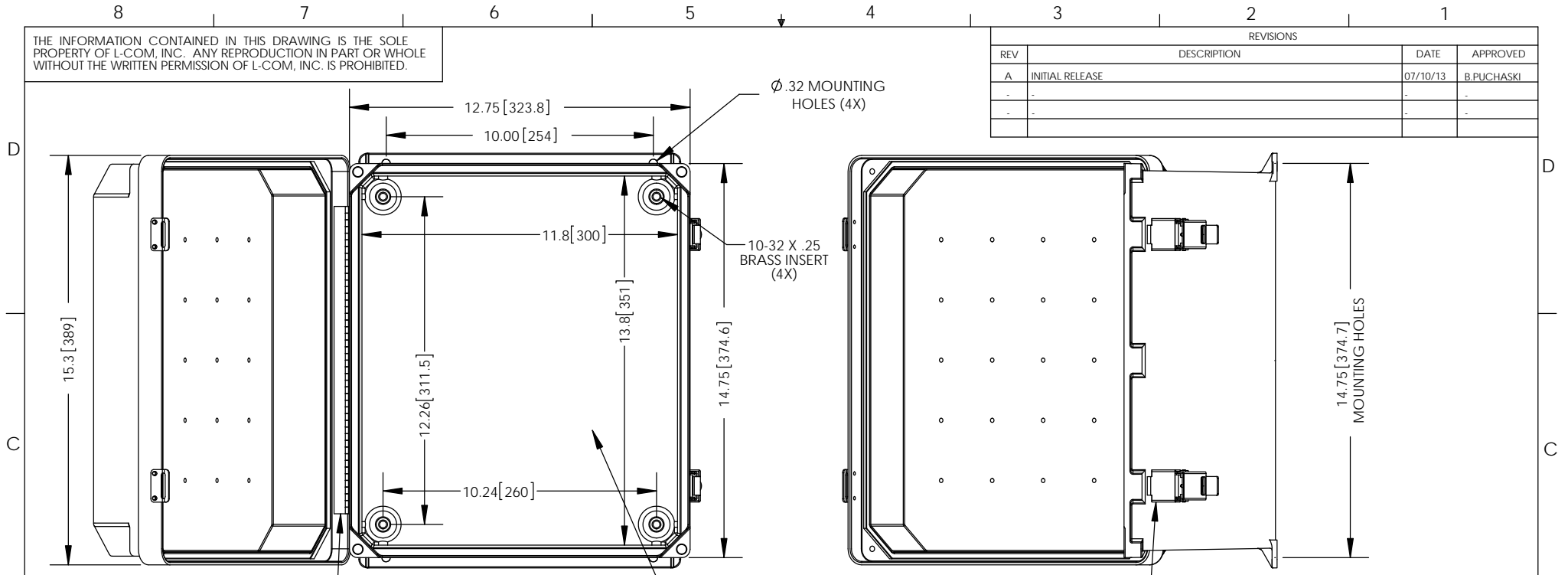


THE INFORMATION CONTAINED IN THIS DRAWING IS THE SOLE PROPERTY OF L-COM, INC. ANY REPRODUCTION IN PART OR WHOLE WITHOUT THE WRITTEN PERMISSION OF L-COM, INC. IS PROHIBITED.

REVISIONS			
REV	DESCRIPTION	DATE	APPROVED
A	INITIAL RELEASE	07/10/13	B.PUCHASKI
-	-	-	-
-	-	-	-



Ø.32 MOUNTING HOLES (4X)

10-32 X .25 BRASS INSERT (4X)

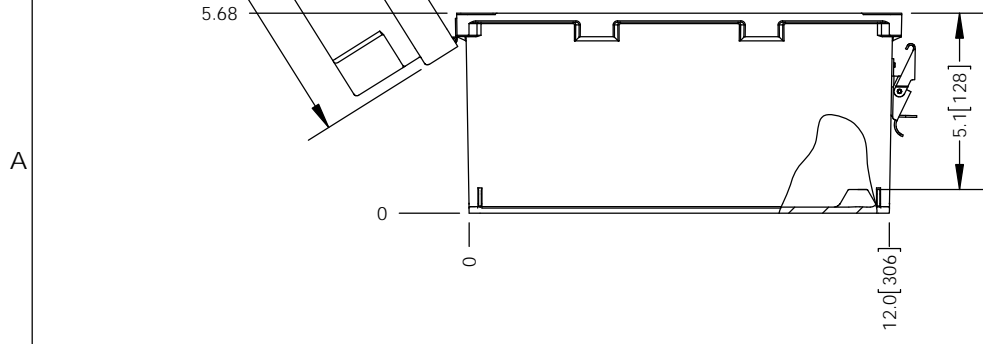
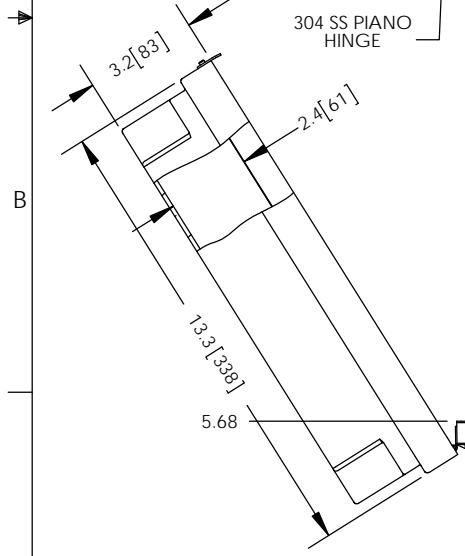
1 BAG OF MPS SCREWS SHIPPED LOOSE INSIDE EACH ENCLOSURE

316 SS PADLOCKABLE LATCHES Ø.375 PADLOCK EYE

304 SS PIANO HINGE

- NOTE:**
- ENCLOSURE MATERIAL-BLACK HOT MOLDED FIBERGLASS REINFORCED POLYESTER
  - NEMA RATED TYPE 3, 3R, 3S, 4, 4X, 12 AND 13 PRIOR TO MODIFICATIONS.
  - IEC 529 RATED IP 66 PRIOR TO MODIFICATION.
  - TEMPERATURE RANGE FROM -50 DEG C TO 150 DEG C.
  - SELF EXTINGUISHING AND HALOGEN FREE.
  - CABINETS ARE MAINTENANCE FREE AND CORROSION RESISTANT.
  - SHALL BE PACKAGED AS PER L-COM SPEC PKG-00070
  - ALL DIMENSIONS FOR REFERENCE ONLY

**REGULATORY COMPLIANCE:**  
RoHS, CE



UNLESS OTHERWISE SPECIFIED, DIMENSIONS ARE IN INCHES [mm]  DIMENSIONAL TOLERANCES: .X = ±.1 [2.54] .XX = ±.01 [25] .XXX = ±.005 [13]  ANGULAR TOLERANCES: ALL = ± 1°	APPROVALS	DATE		45 BEECHWOOD DRIVE NORTH ANDOVER, MA 01845	
	DRAWN BY B.PUCHASKI	07/10/13			
	CHECKED BY P.PESA	07/10/13	CATEGORY	ENCLOSURES	
	APPROVED BY P.PESA	07/10/13	PRODUCT DESCRIPTION	NEMA ENCLOSURE 14 X 12 X 7 WEATHERPROOF BLACK	
PROJECTION 	COLOR VARIATIONS MAY OCCUR	SIZE <b>A</b>	FSCM NO. <b>43321</b>	DWG. NO. <b>NBB141207</b>	REV. <b>A</b>
		SCALE: NONE	CAD FILE: NBB141207.SLDRW	SHEET 1 OF 1	