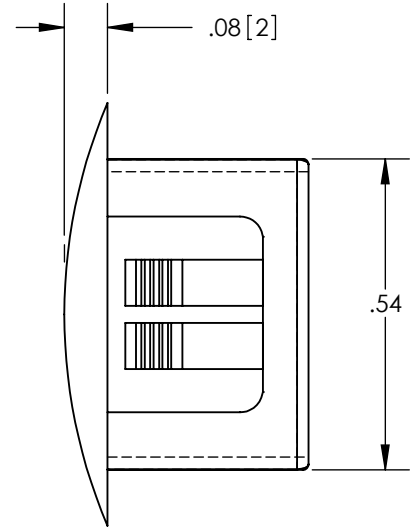
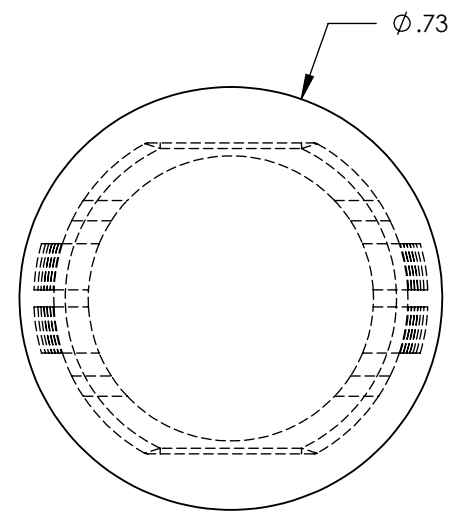
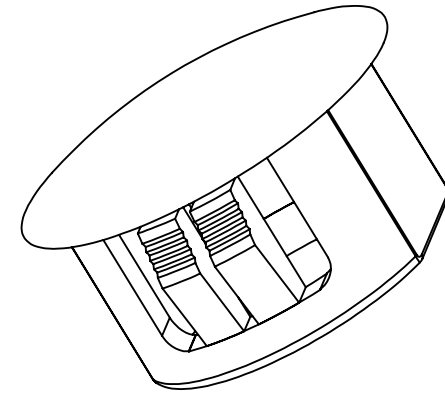
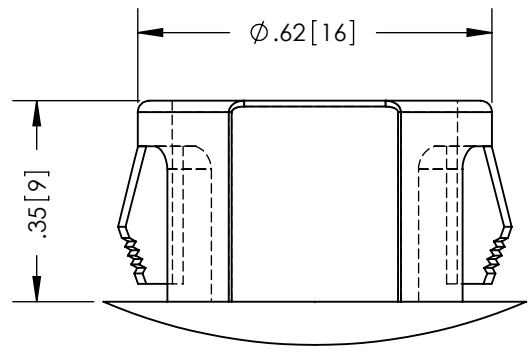


THE INFORMATION CONTAINED IN THIS DRAWING IS THE SOLE PROPERTY OF L-COM, INC. ANY REPRODUCTION IN PART OR WHOLE WITHOUT THE WRITTEN PERMISSION OF L-COM, INC. IS PROHIBITED.

REVISIONS			
REV	DESCRIPTION	DATE	APPROVED
A	INITIAL RELEASE	12/19/11	D.GRIFFIN
-	-	-	-
-	-	-	-



NOTES:
 MATERIAL: 6/6 NYLON, BLACK
 PACKAGING:
 -COMPONENT SHALL BE PACKAGED IN ACCORDANCE WITH L-COM SPEC PKG-00012,
 -PACKAGED 10 PLUGS PER BAG
 -ALL DIMENSIONS FOR REFERENCE-

RoHS Compliant ✓

UNLESS OTHERWISE SPECIFIED, DIMENSIONS ARE IN INCHES [mm] DIMENSIONAL TOLERANCES: .X = ±.1 .XX = ±.01 .XXX = ±.005 ANGULAR TOLERANCES: ALL = ± 1°	APPROVALS	DATE		45 BEECHWOOD DRIVE NORTH ANDOVER, MA 01845	
	DRAWN BY B.PUCHASKI	12/26/11			
	CHECKED BY M.MARTINEZ APPROVED BY M.MARTINEZ	12/16/11	12/16/11	CATEGORY ANTENNA	
PROJECTION 	CONFIGURATION DETAILS OF UNDIMENSIONED FEATURES MAY VARY COLOR VARIATIONS MAY OCCUR	PRODUCT DESCRIPTION BLACK H/D-CUT HOLE PLUG	SIZE A FSCM NO. 43321 DWG. NO. NBA-0001 REV. A		
SCALE: NONE			CAD FILE: NBA-0001.SLDDRW		SHEET 1 OF 1