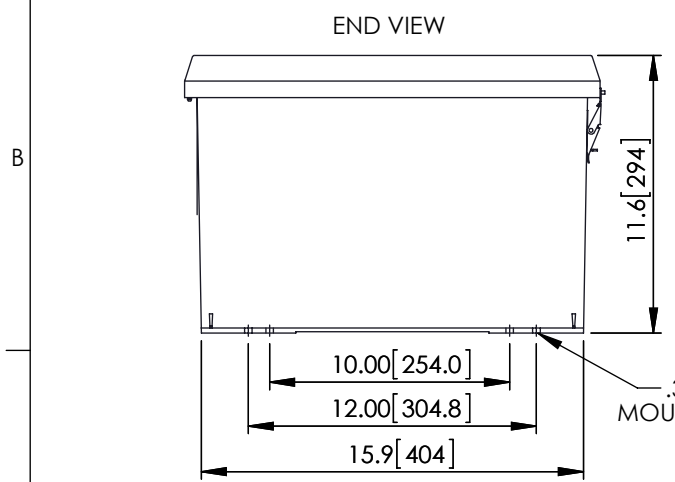
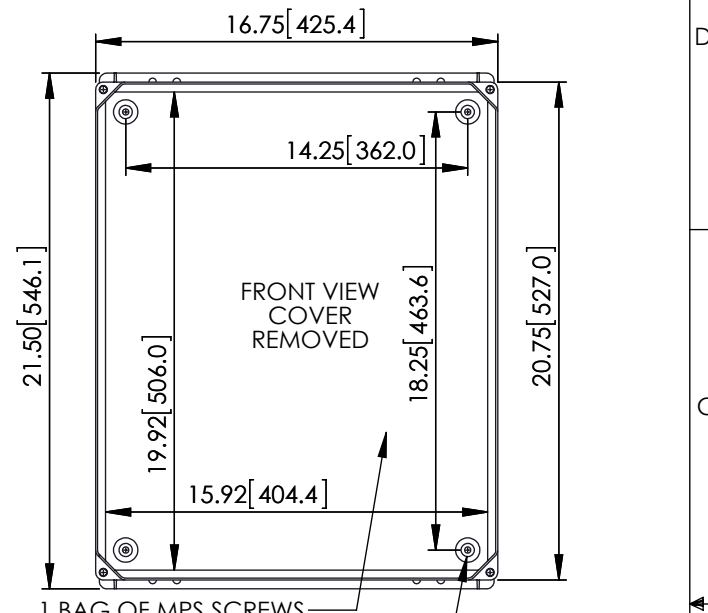
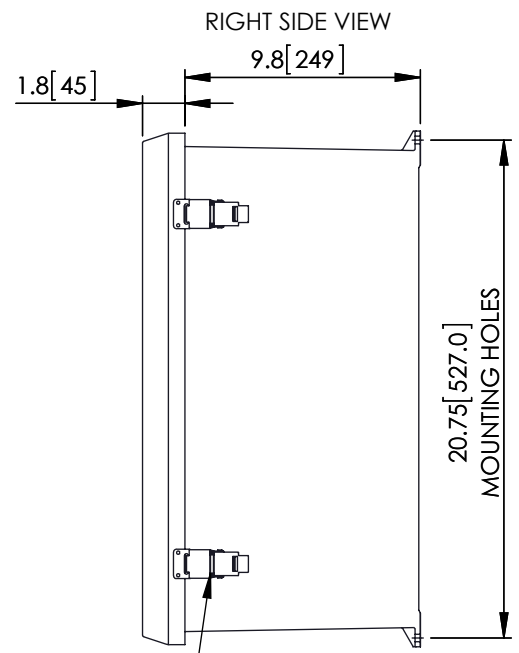
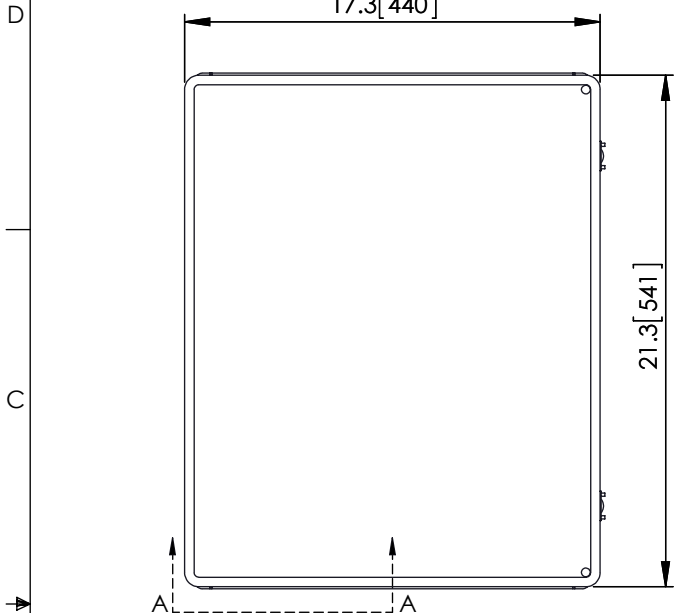


THE INFORMATION CONTAINED IN THIS DRAWING IS THE SOLE PROPERTY OF L-COM, INC. ANY REPRODUCTION IN PART OR WHOLE WITHOUT THE WRITTEN PERMISSION OF L-COM, INC. IS PROHIBITED.

REVISIONS			
REV	DESCRIPTION	DATE	APPROVED
A	INITIAL RELEASE	5/1/14	D.GRIFFIN



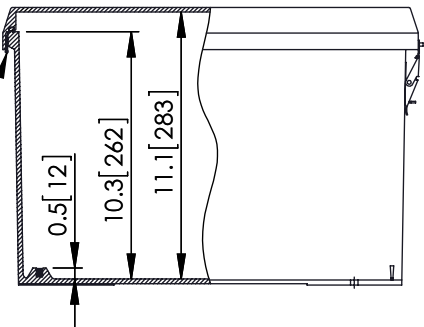
316 STAINLESS STEEL
PADLOCKABLE LATCHES
Ø.375 PADLOCK EYE

SECTION A-A

1 BAG OF MPS SCREWS
SHIPPED LOOSE INSIDE
EACH ENCLOSURE

10-32 X .25
BRASS INSERTS (4X)

304 STAINLESS
STEEL PIANO
HINGE



.32 WALL
MOUNTING HOLE
(8X)

- NOTE:
- ENCLOSURE MATERIAL-GRAY (RAL7035)
HOT MOLDED FIBERGLASS REINFORCED POLYESTER
 - NEMA RATED TYPE 3, 3R, 3S, 4, 4X, 12 AND 13 PRIOR TO MODIFICATIONS.
 - IEC 529 RATED IP 66 PRIOR TO MODIFICATION.
 - TEMPERATURE RANGE FROM -50 DEG C TO 150 DEG C.
 - SELF EXTINGUISHING AND HALOGEN FREE.
 - CABINETS ARE MAINTENANCE FREE AND CORROSION RESISTANT.
 - SHALL BE PACKAGED AS PER L-COM SPEC PKG-00070

UNLESS OTHERWISE SPECIFIED, DIMENSIONS ARE IN INCHES [mm]	APPROVALS	DATE
	DRAWN BY B.PUCHASKI	04/30/14
	CHECKED BY P.PESA	04/30/14
	APPROVED BY P.PESA	04/30/14
DIMENSIONAL TOLERANCES: .X = ±.1 [2.54] .XX = ±.01 [2.5] .XXX = ±.005 [.13]	CONFIGURATION DETAILS OF UNDIMENSIONED FEATURES MAY VARY	
	ANGULAR TOLERANCES: ALL = ± 1°	
PROJECTION 	COLOR VARIATIONS MAY OCCUR	

	45 BEECHWOOD DRIVE NORTH ANDOVER, MA 01845	
	CATEGORY ENCLOSURE	
PRODUCT DESCRIPTION NEMA ENCLOSURE 20 X 16 X 11 STANDARD		
SIZE A	FSCM NO. 43321	DWG. NO. NB201611
SCALE: NONE		CAD FILE: NB201611.SLDDRW
		SHEET 1 OF 1

D
C
B
A

D
C
B
A

8 7 6 5 4 3 2 1