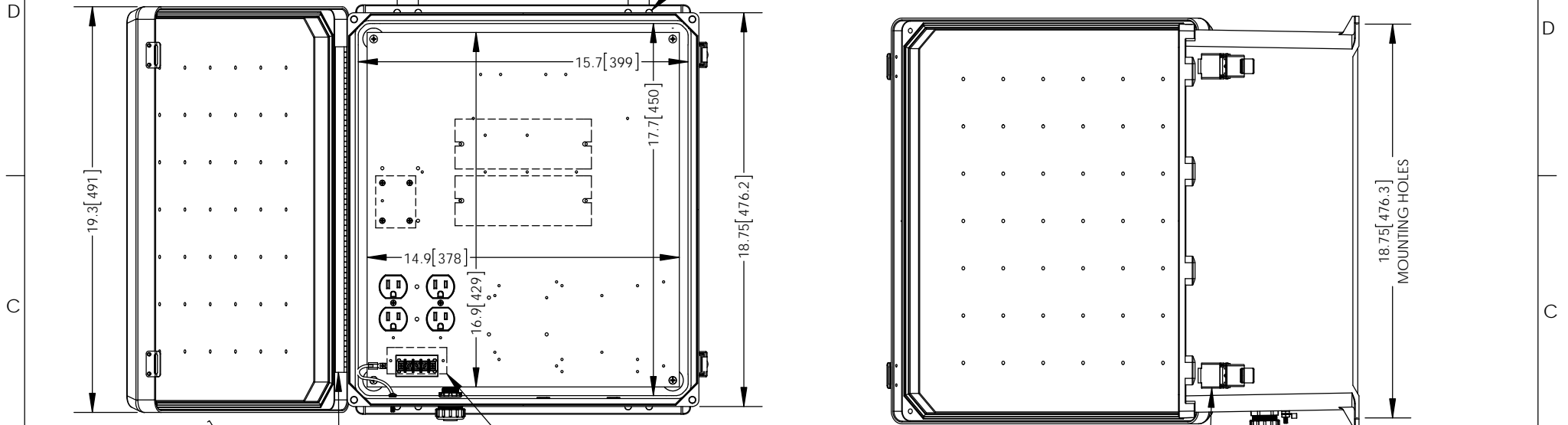


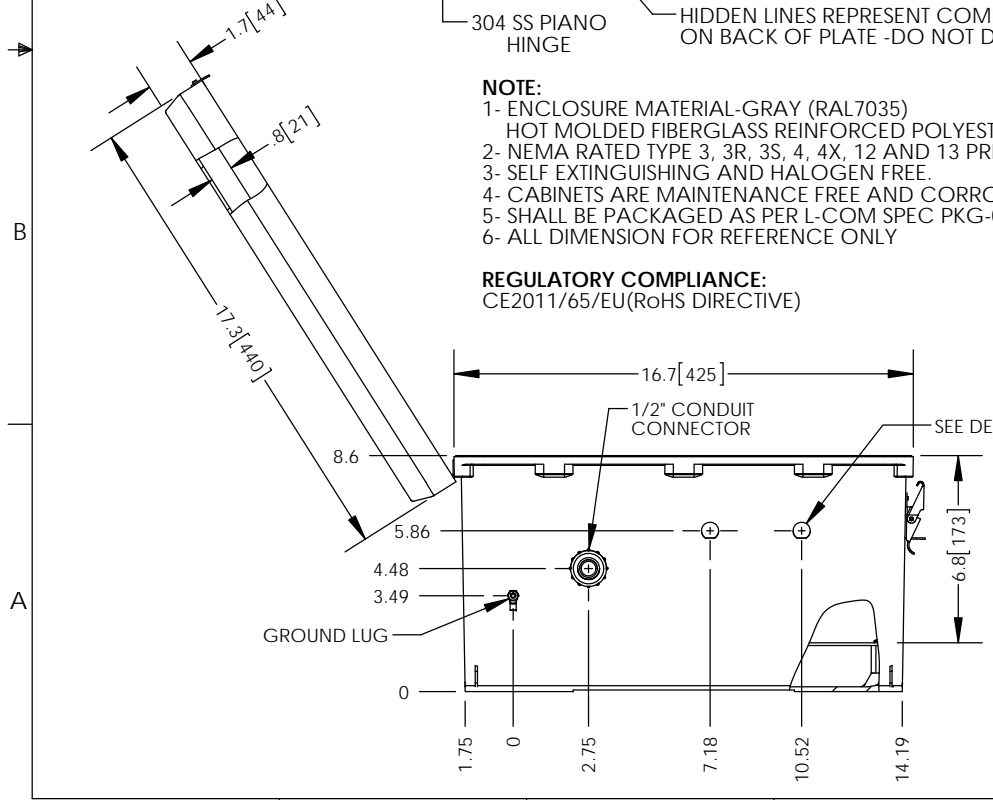
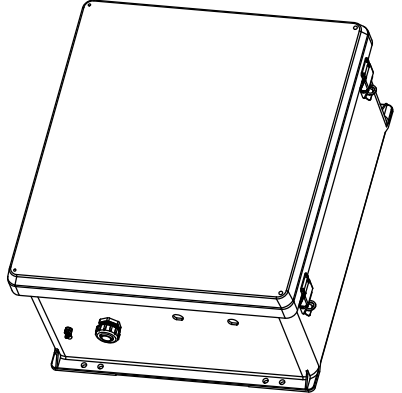
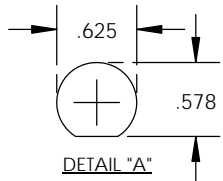
THE INFORMATION CONTAINED IN THIS DRAWING IS THE SOLE PROPERTY OF L-COM, INC. ANY REPRODUCTION IN PART OR WHOLE WITHOUT THE WRITTEN PERMISSION OF L-COM, INC. IS PROHIBITED.

REVISIONS			
REV	DESCRIPTION	DATE	APPROVED
A	INITIAL RELEASE	01/07/13	B.PUCHASKI
B	ECN 8574 UPDATE WITH 3D MODEL	12/02/16	B.PUCHASKI



- NOTE:**
- 1- ENCLOSURE MATERIAL-GRAY (RAL7035)
HOT MOLDED FIBERGLASS REINFORCED POLYESTER
 - 2- NEMA RATED TYPE 3, 3R, 3S, 4, 4X, 12 AND 13 PRIOR TO MODIFICATIONS.
 - 3- SELF EXTINGUISHING AND HALOGEN FREE.
 - 4- CABINETS ARE MAINTENANCE FREE AND CORROSION RESISTANT.
 - 5- SHALL BE PACKAGED AS PER L-COM SPEC PKG-00070
 - 6- ALL DIMENSION FOR REFERENCE ONLY

REGULATORY COMPLIANCE:
CE2011/65/EU(RoHS DIRECTIVE)



UNLESS OTHERWISE SPECIFIED, DIMENSIONS ARE IN INCHES [mm] DIMENSIONAL TOLERANCES: .X = ±.1 [2.54] .XX = ±.01 [.25] .XXX = ±.005 [.13] ANGULAR TOLERANCES: ALL = ± 1°	APPROVALS	DATE		50 HIGH STREET NORTH ANDOVER, MA 01845	
	DRAWN BY B.PUCHASKI	01/07/13			
	CHECKED BY P.PESA	01/07/13	CATEGORY	ENCLOSURE	
	APPROVED BY P.PESA	01/07/13	PRODUCT DESCRIPTION	NEMA ENCLOSURE 18 X 16 X 8 WEATHERPROOF 120VAC W/HEATER SOLID STATE	
PROJECTION 	COLOR VARIATIONS MAY OCCUR	SIZE A	FSCM NO. 43321	DWG. NO. NB181608-1H0S	REV. B
SCALE: NONE		CAD FILE: NB181608-1H0S.SLDRW		SHEET 1 OF 1	