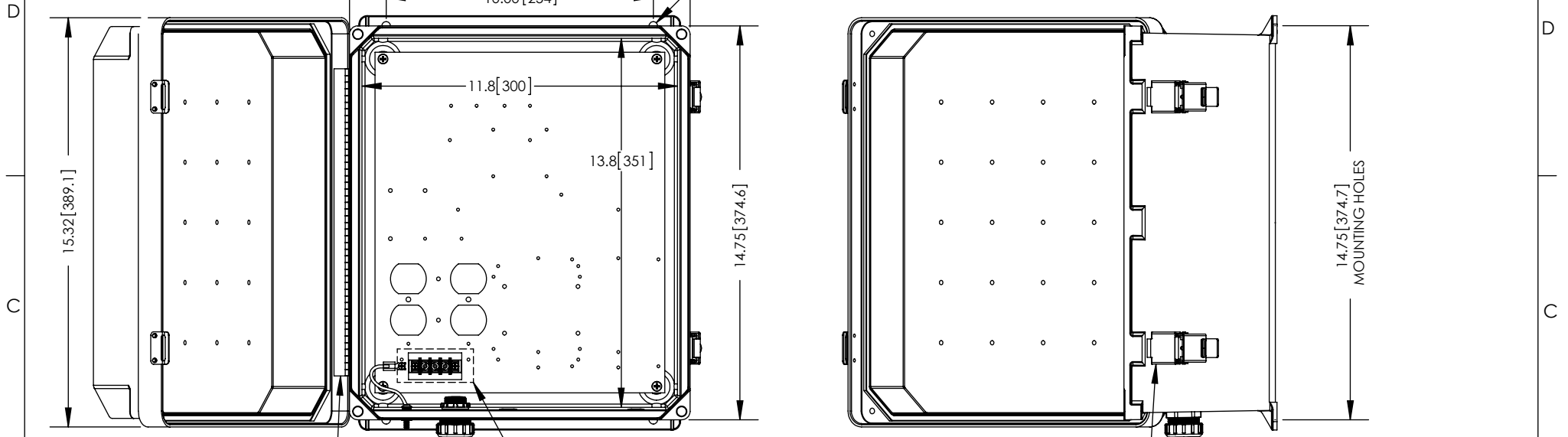


THE INFORMATION CONTAINED IN THIS DRAWING IS THE SOLE PROPERTY OF L-COM, INC. ANY REPRODUCTION IN PART OR WHOLE WITHOUT THE WRITTEN PERMISSION OF L-COM, INC. IS PROHIBITED.

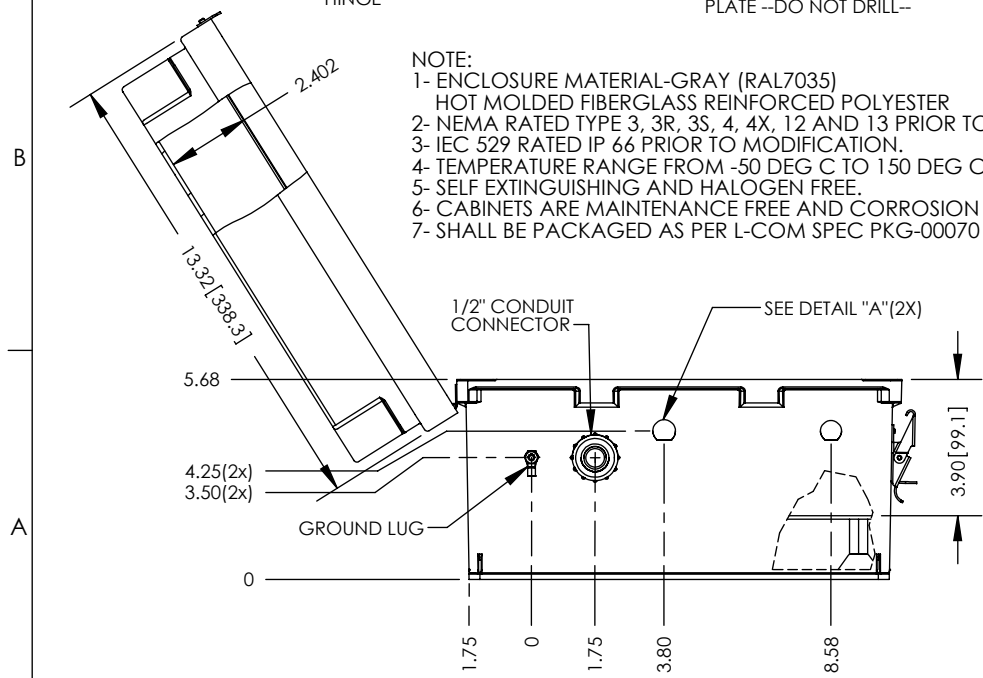
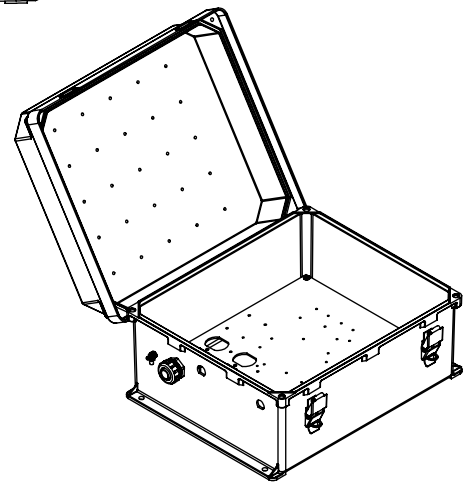
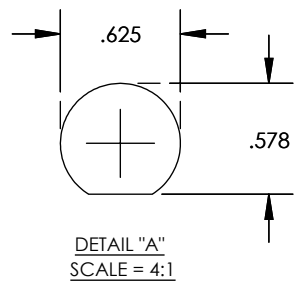
REVISIONS			
REV	DESCRIPTION	DATE	APPROVED
A	INITIAL RELEASE	9/12/12	D.GRIFFIN
-	-	-	-
-	-	-	-



304 SS PIANO HINGE
 HIDDEN LINES REPRESENT COMPONENTS ON BACK OF PLATE --DO NOT DRILL--

316 SS PADLOCKABLE LATCHES
 Ø.375 PADLOCK EYE

- NOTE:
 1- ENCLOSURE MATERIAL-GRAY (RAL7035)
 HOT MOLDED FIBERGLASS REINFORCED POLYESTER
 2- NEMA RATED TYPE 3, 3R, 3S, 4, 4X, 12 AND 13 PRIOR TO MODIFICATIONS.
 3- IEC 529 RATED IP 66 PRIOR TO MODIFICATION.
 4- TEMPERATURE RANGE FROM -50 DEG C TO 150 DEG C.
 5- SELF EXTINGUISHING AND HALOGEN FREE.
 6- CABINETS ARE MAINTENANCE FREE AND CORROSION RESISTANT.
 7- SHALL BE PACKAGED AS PER L-COM SPEC PKG-00070



RoHS Compliant ✓

UNLESS OTHERWISE SPECIFIED, DIMENSIONS ARE IN INCHES [mm] DIMENSIONAL TOLERANCES: .X = ±.1 .XX = ±.01 .XXX = ±.005 ANGULAR TOLERANCES: ALL = ± 1° PROJECTION 	APPROVALS DRAWN BY B.PUCHASKI	DATE 09/11/12		45 BEECHWOOD DRIVE NORTH ANDOVER, MA 01845	
	CHECKED BY P.PESA	09/11/12		CATEGORY ENCLOSURE	
	APPROVED BY B.PUCHASKI	09/11/12	PRODUCT DESCRIPTION NEMA ENCLOSURE 14 X 12 X 7 WEATHERPROOF 120VAC TERMINAL BLOCK		
	COLOR VARIATIONS MAY OCCUR	SIZE A	FSCM NO. 43321	DWG. NO. NB141207-100T	REV. A

SCALE: NONE | CAD FILE: NB141207-100T.SLDDRW | SHEET 1 OF 1