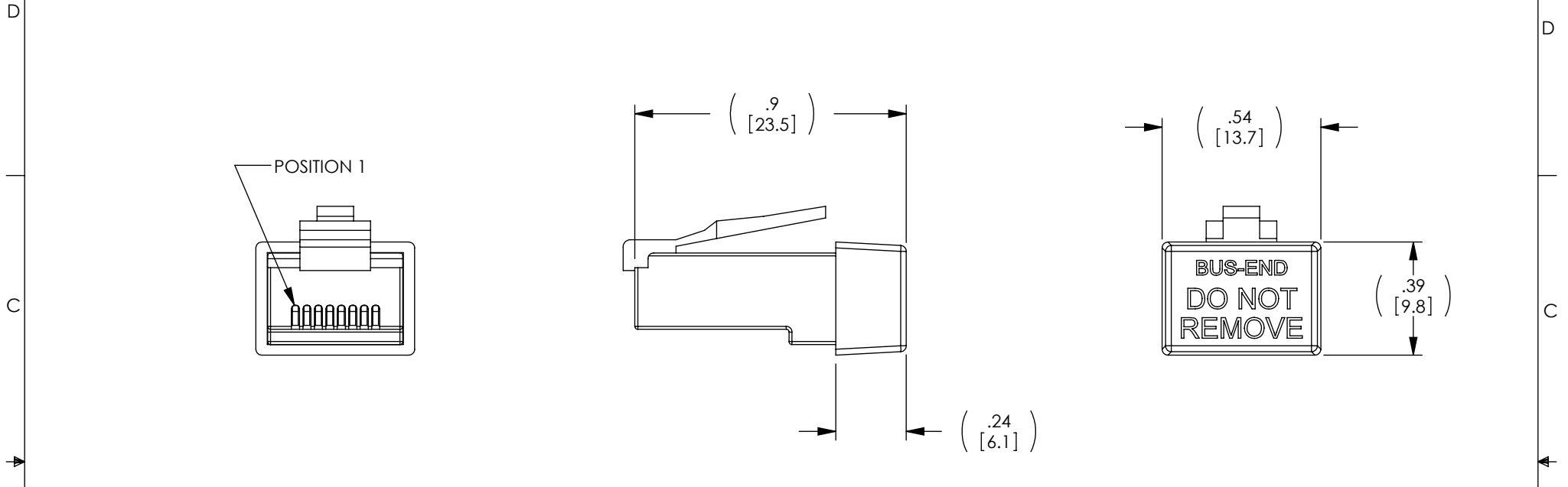


THE INFORMATION CONTAINED IN THIS DRAWING IS THE SOLE PROPERTY OF L-COM, INC. ANY REPRODUCTION IN PART OR WHOLE WITHOUT THE WRITTEN PERMISSION OF L-COM, INC. IS PROHIBITED.

REVISIONS			
REV	DESCRIPTION	DATE	APPROVED
A	INITIAL RELEASE	9/2/03	D.PARHAM
B	ECN3283: MADE DIMS REF DIMS. UPDATED FORMAT. ADDED ROHS STAMP	04/14/08	D.PARHAM
C	ECN 3640: REPLACED WITH NEW END CAP	10/15/08	D.FRISIELLO



WIRE CHART	
PIN NO.	RESISTOR
3	100 OHMS +/- 1% 1/4 W ATT
6	
4	100 OHMS +/- 1% 1/4 W ATT
5	

SPECIFICATIONS
 PLUG: (RJ45)
 MEETS REQUIREMNETS OF TIA-1096
 HOUSING: UL94V-0 COMPLIANT POLYCARBONATE
 CONTACTS: PHOSPHOR BRONZE
 PLATING: 50μINCHES GOLD OVER NICKEL

NOTE:
 1. LETTERING ON END CAP IS MOLDED INSET TYPE

RoHS Compliant ✓

UNLESS OTHERWISE SPECIFIED, DIMENSIONS ARE IN INCHES [mm] DIMENSIONAL TOLERANCES: .X = ±.1 .XX = ±.01 .XXX = ±.005 ANGULAR TOLERANCES: ALL = ± 1° PROJECTION 	APPROVALS D. PARHAM CHECKED BY T. CLARK APPROVED BY C. McCORMICK	DATE 8/29/2003 9/2/2003 9/2/2003	 45 BEECHWOOD DRIVE NORTH ANDOVER, MA 01845
	CATEGORY MODULAR		PRODUCT DESCRIPTION MODULAR TERMINATOR
	CONFIGURATION DETAILS OF UNDIMENSIONED FEATURES MAY VARY		
	COLOR VARIATIONS MAY OCCUR	SIZE A	FSCM NO. 43321

SCALE: 2:1 | CAD FILE: MOD27T.SLDDRW | SHEET 1 OF 1