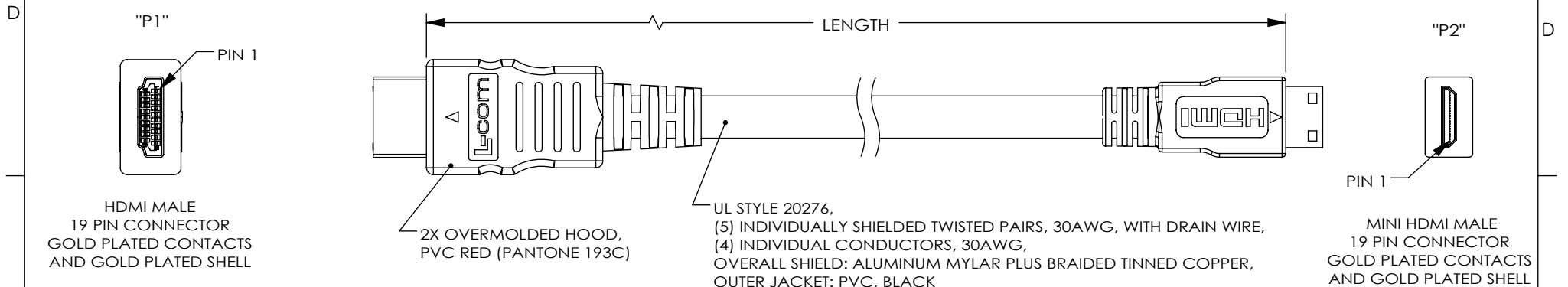


THE INFORMATION CONTAINED IN THIS DRAWING IS THE SOLE PROPERTY OF L-COM, INC. ANY REPRODUCTION IN PART OR WHOLE WITHOUT THE WRITTEN PERMISSION OF L-COM, INC. IS PROHIBITED.

REVISIONS			
REV	DESCRIPTION	DATE	APPROVED
A	INITIAL RELEASE	9/22/11	D.GRIFFIN
B	ECN 9020; REVISED NOTES TO REMOVE HDMI LABEL, NEW DWG FORMAT	12/22/2017	B.ZHANG
-	-	-	-
-	-	-	-

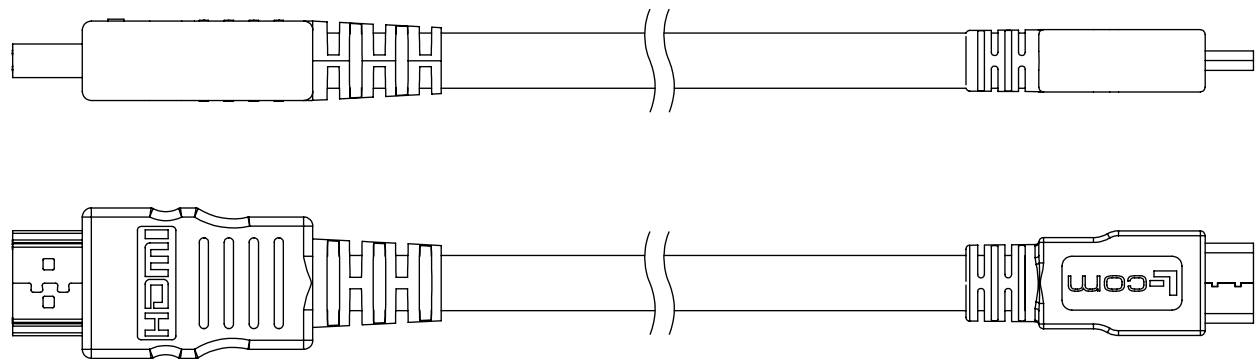
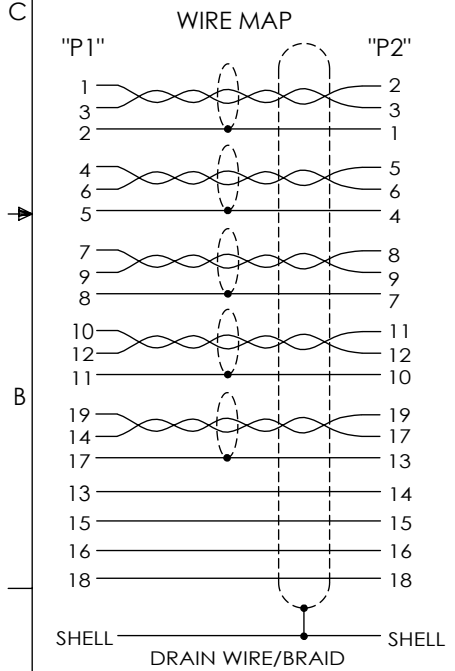


HDMI MALE
19 PIN CONNECTOR
GOLD PLATED CONTACTS
AND GOLD PLATED SHELL

2X OVERMOLDED HOOD,
PVC RED (PANTONE 193C)

UL STYLE 20276,
(5) INDIVIDUALLY SHIELDED TWISTED PAIRS, 30AWG, WITH DRAIN WIRE,
(4) INDIVIDUAL CONDUCTORS, 30AWG,
OVERALL SHIELD: ALUMINUM MYLAR PLUS BRAIDED TINNED COPPER,
OUTER JACKET: PVC, BLACK

MINI HDMI MALE
19 PIN CONNECTOR
GOLD PLATED CONTACTS
AND GOLD PLATED SHELL



PART NUMBER	LENGTH	
	METERS	FEET
MHD-HD-0.5	0.5	1.64
MHD-HD-1	1.0	3.28
MHD-HD-2	2.0	6.56
MHD-HD-3	3.0	9.84
MHD-HD-4	4.0	13.12
MHD-HD-5	5.0	16.40

NOTES:

1. CABLE ASSEMBLY SHALL BE TESTED FOR CONTINUITY.
2. CABLE ASSEMBLY SHALL BE INDIVIDUALLY PACKAGED IN ACCORDANCE WITH L-COM SPECIFICATION PS-0031.
3. DUST COVERS INSTALLED FOR SHIPPING (NOT SHOWN).

REGULATORY COMPLIANCE:
CE2011/65/EU(RoHS DIRECTIVE)

UNLESS OTHERWISE SPECIFIED, DIMENSIONS ARE IN INCHES [mm] OVERALL CABLE LENGTH TOLERANCE: ≤ 12 [305] = +1 [25] / -0 >12 [305] ≤ 60 [1524] = +2 [51] / -0 >60 [1524] ≤ 120 [3048] = +4 [102] / -0 >120 [3048] ≤ 300 [7620] = +6 [152] / -0 >300 [7620] = +5% / -0% ALL OTHER DIMENSIONAL TOLERANCES: .X = ±.2 [5.08] .XX = ±.02 [1.51] .XXX = ±.005 [1.3]	APPROVALS DRAWN BY D. CASTRO CHECKED BY D. PARHAM APPROVED BY P. MCNEIL	DATE 9/21/11 9/21/11 9/21/11	50 HIGH STREET NORTH ANDOVER, MA 01845
	CONFIGURATION DETAILS OF UNDIMENSIONED FEATURES MAY VARY		CATEGORY AUDIO/VIDEO
	PROJECTION 		PRODUCT DESCRIPTION CA MINI HDMI M/HDMI M
	COLOR VARIATIONS MAY OCCUR	SIZE A	FSCM NO. 43321

SCALE: NONE CAD FILE: MHD-HD.SLDDRW SHEET 1 OF 1