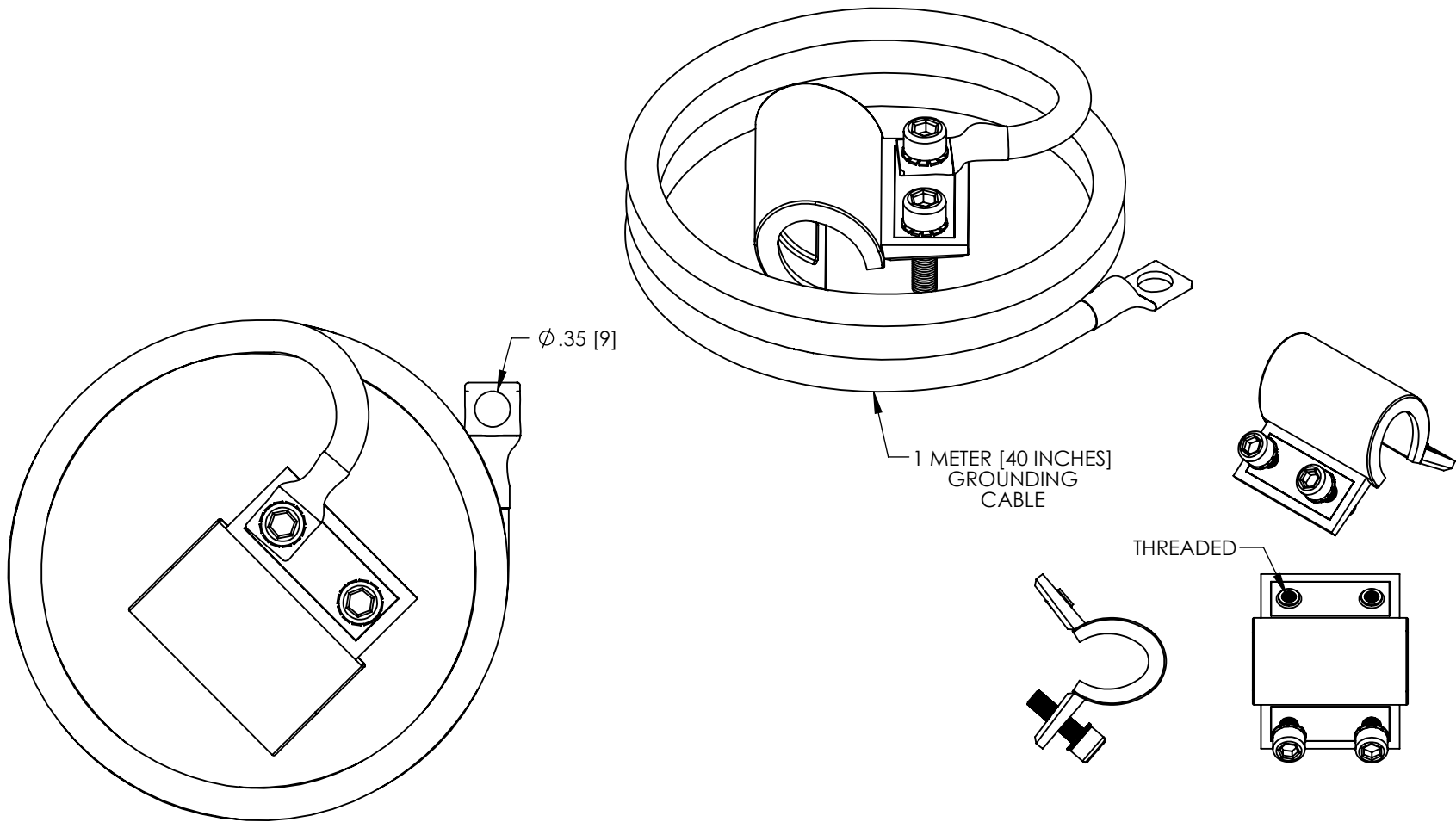

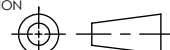


THE INFORMATION CONTAINED IN THIS DRAWING IS THE SOLE PROPERTY OF L-COM, INC. ANY REPRODUCTION IN PART OR WHOLE WITHOUT THE WRITTEN PERMISSION OF L-COM, INC. IS PROHIBITED.

REVISIONS			
REV	DESCRIPTION	DATE	APPROVED
A	INITIAL RELEASE	7/3/12	D.GRIFFIN
-	-	-	-
-	-	-	-



RoHS Compliant ✓

UNLESS OTHERWISE SPECIFIED, DIMENSIONS ARE IN INCHES [mm] DIMENSIONAL TOLERANCES: .X = ±.1 .XX = ±.01 .XXX = ±.005 ANGULAR TOLERANCES: ALL = ± 1°	APPROVALS	DATE		45 BEECHWOOD DRIVE NORTH ANDOVER, MA 01845	
	DRAWN BY B.PUCHASKI	06/26/12			
	CHECKED BY P.PESA	06/26/12	CATEGORY	COAXIAL	
APPROVED BY P.PESA	06/26/12	CONFIGURATION DETAILS OF UNDIMENSIONED FEATURES MAY VARY	PRODUCT DESCRIPTION GROUNDING KIT FOR 600 SERIES COAXIAL CABLE		
PROJECTION 	COLOR VARIATIONS MAY OCCUR	SIZE A	FSCM NO. 43321	DWG. NO. HT-GK600	REV. A
		SCALE: NONE	CAD FILE: HT-GK600.SLDDRW		SHEET 1 OF 1

NOTES:
PACKAGING: SHALL BE PACKAGED AS PER L-COM SPEC PKG-00012
- ALL DIMENSIONS FOR REFERENCE ONLY -