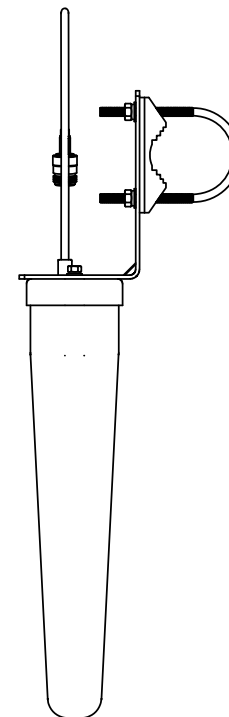
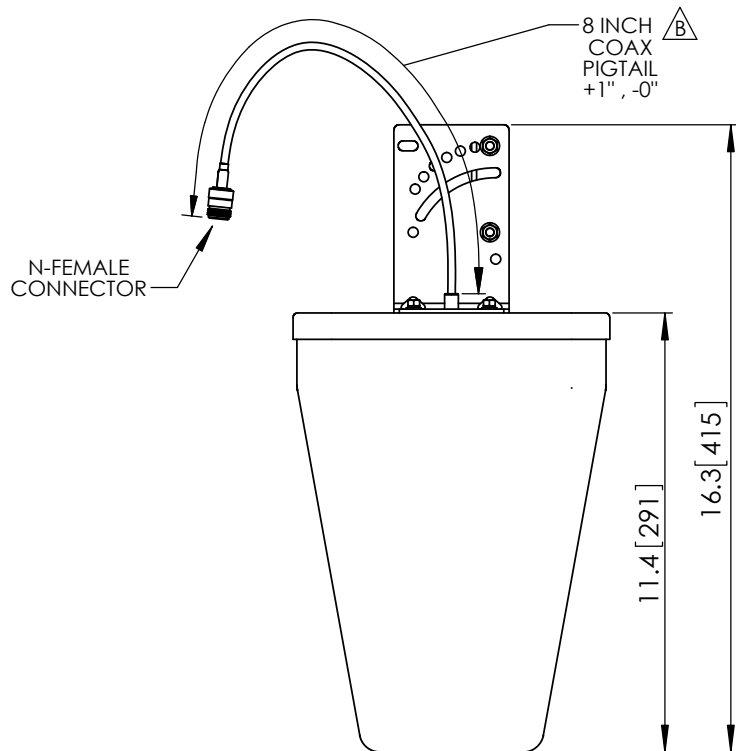
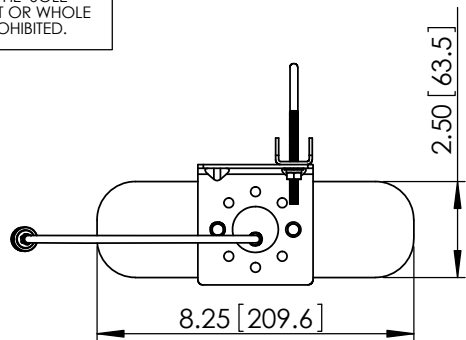


THE INFORMATION CONTAINED IN THIS DRAWING IS THE SOLE PROPERTY OF L-COM, INC. ANY REPRODUCTION IN PART OR WHOLE WITHOUT THE WRITTEN PERMISSION OF L-COM, INC. IS PROHIBITED.

REVISIONS			
REV	DESCRIPTION	DATE	APPROVED
A	INITIAL RELEASE	1/19/16	D.GRIFFIN
B	ECN 8741 ADD TOLERANCED CABLE LENGTH	05/03/17	B.PUCHASKI


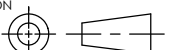


**NOTES:**

PACKAGING:  
COMPONENT SHALL BE PACKAGED IN ACCORDANCE WITH L-COM SPEC PKG-00056.

- ALL DIMENSIONS FOR REFERENCE ONLY -

**REGULATORY COMPLIANCE:**  
CE2011/65/EU(RoHS DIRECTIVE)

UNLESS OTHERWISE SPECIFIED, DIMENSIONS ARE IN INCHES [mm] OVERALL CABLE LENGTH TOLERANCE: ≤12 [305] = +1 [25] / -0 >12 [305] ≤60 [1524] = +2 [51] / -0 >60 [1524] ≤120 [3048] = +4 [102] / -0 >120 [3048] ≤300 [7620] = +6 [152] / -0 >300 [7620] = +5% / -0%	APPROVALS	DATE		50 HIGH STREET NORTH ANDOVER, MA 01845
	DRAWN BY B.PUCHASKI	01/18/16		CATEGORY
ALL OTHER DIMENSIONAL TOLERANCES: .X = ± .2 [5.08] .XX = ± .02 [1.51] .XXX = ± .005 [1.13]	CHECKED BY P.PESA	01/18/16	PRODUCT DESCRIPTION 700MHz - 2.7GHz 10dBi LOG PERIODIC ANTENNA W/ PIGTAIL AND N-FEMALE CONNECTOR	
	APPROVED BY P.PESA	01/18/16	SIZE <b>A</b>	FSCM NO. <b>43321</b>
PROJECTION 	CONFIGURATION DETAILS OF UNDIMENSIONED FEATURES MAY VARY		DWG. NO. HG72710LP-NF	REV. <b>B</b>
COLOR VARIATIONS MAY OCCUR		SCALE: NONE		CAD FILE: HG72710LP-NF.SLDDRW
			SHEET 1 OF 1	