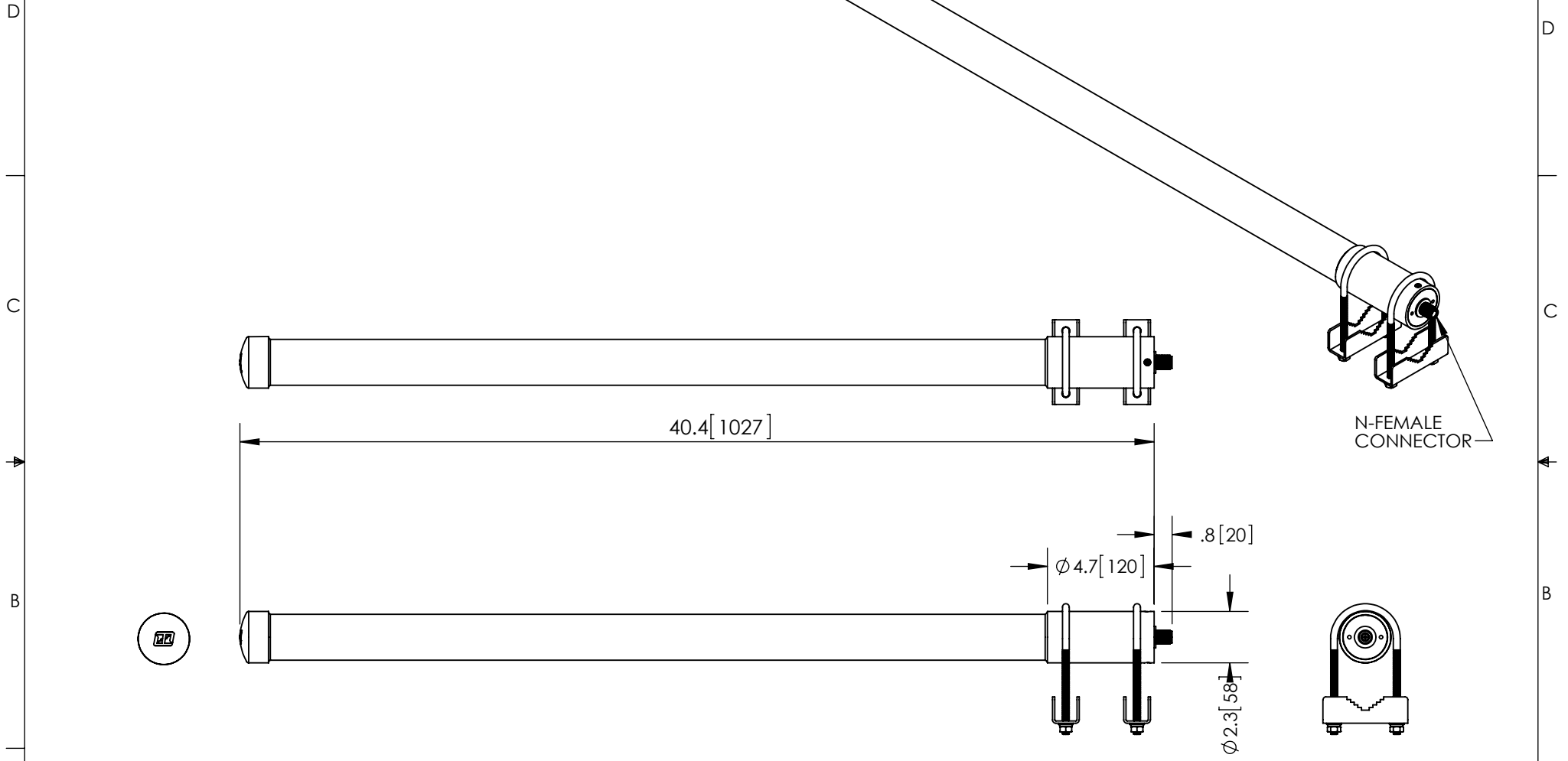


THE INFORMATION CONTAINED IN THIS DRAWING IS THE SOLE PROPERTY OF L-COM, INC. ANY REPRODUCTION IN PART OR WHOLE WITHOUT THE WRITTEN PERMISSION OF L-COM, INC. IS PROHIBITED.

REVISIONS			
REV	DESCRIPTION	DATE	APPROVED
A	INITIAL RELEASE	2/22/13	D.GRIFFIN



N-FEMALE CONNECTOR

**RoHS Compliant** ✓

NOTES:  
 PACKAGING:  
 COMPONENT SHALL BE PACKAGED IN ACCORDANCE WITH L-COM SPEC PKG-00080.  
 - ALL DIMENSIONS FOR REFERENCE -

UNLESS OTHERWISE SPECIFIED, DIMENSIONS ARE IN INCHES [mm]  DIMENSIONAL TOLERANCES: .X = ±.1 .XX = ±.01 .XXX = ±.005  ANGULAR TOLERANCES: ALL = ± 1°	APPROVALS	DATE		45 BEECHWOOD DRIVE NORTH ANDOVER, MA 01845
	DRAWN BY B.PUCHASKI	02/21/13		
PROJECTION 	CHECKED BY P.PESA	02/21/13	CATEGORY ANTENNA	
	APPROVED BY P.PESA	02/21/13	PRODUCT DESCRIPTION 700MHz - 2.1GHz 4/7dBi OMNI ANTENNA W/N-FEMALE CONNECTOR	
	CONFIGURATION DETAILS OF UNDIMENSIONED FEATURES MAY VARY	SIZE <b>A</b>	FSCM NO. <b>43321</b>	DWG. NO. HG72107U-PRO
	COLOR VARIATIONS MAY OCCUR	SCALE: NONE	CAD FILE: HG72107U-PRO.SLDDRW	REV. <b>A</b>
				SHEET 1 OF 1