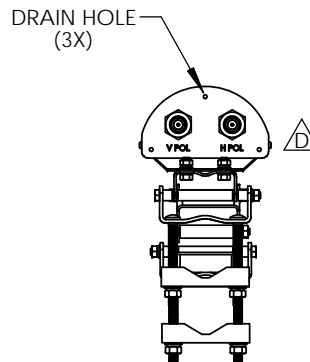
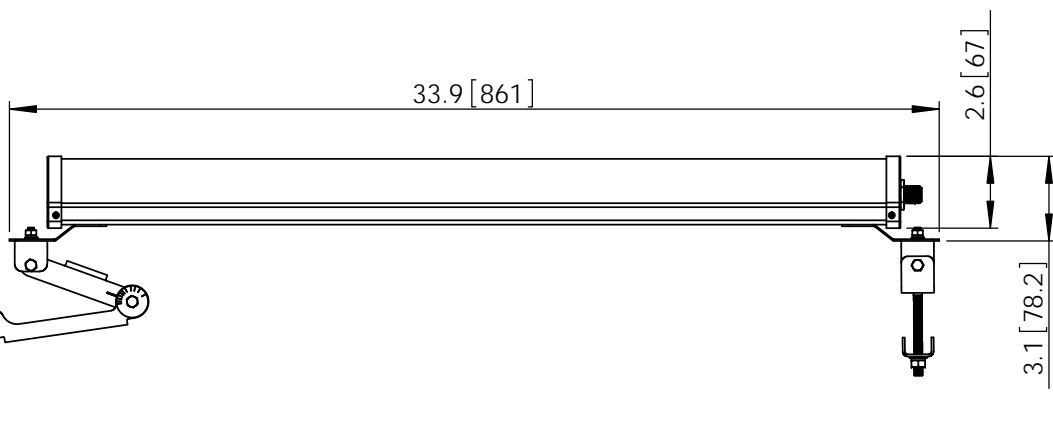
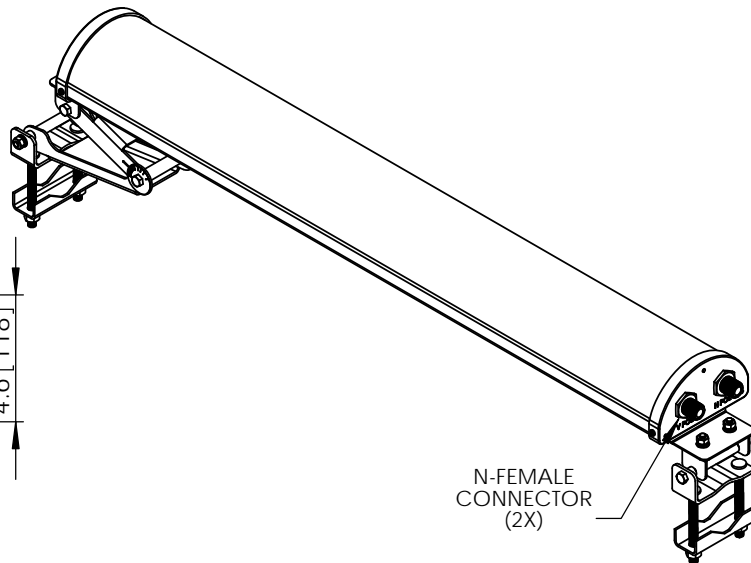
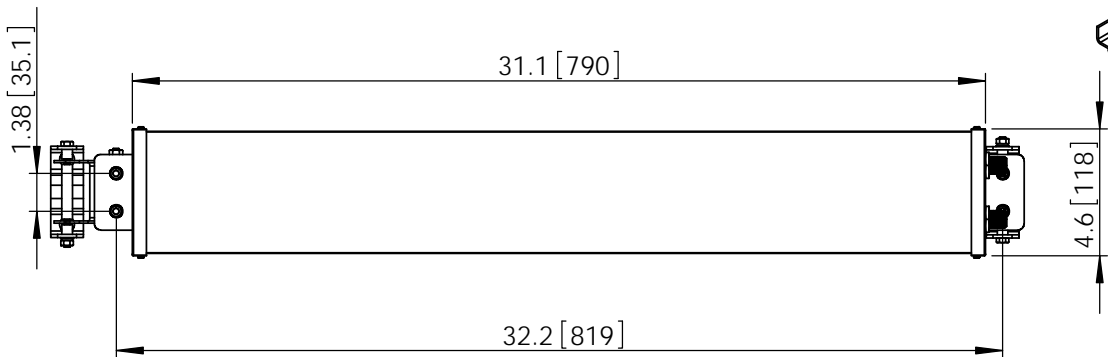


THE INFORMATION CONTAINED IN THIS DRAWING IS THE SOLE PROPERTY OF L-COM, INC. ANY REPRODUCTION IN PART OR WHOLE WITHOUT THE WRITTEN PERMISSION OF L-COM, INC. IS PROHIBITED.

| REVISIONS | | | |
|-----------|---|----------|------------|
| REV | DESCRIPTION | DATE | APPROVED |
| A | INITIAL RELEASE | 03/20/12 | D.GRIFFIN |
| B | ECN 7300 CHANGE ANTENNA LENGTH 16.7 TO 31.3 | 02/18/14 | B.PUCHASKI |
| C | ECN 8975 UPDATE PER VENDOR SPECS | 10/31/17 | B.PUCHASKI |
| D | ECN 9088 CORRECTION OF H POL TEXT | 02/27/18 | B.PUCHASKI |



NOTES:
PACKAGING:
 COMPONENT SHALL BE PACKAGED IN ACCORDANCE WITH L-COM SPEC PKG-00089.

- ALL DIMENSIONS FOR REFERENCE -

REGULATORY COMPLIANCE:
 CE2011/65/EU(RoHS DIRECTIVE)

| | | | | | | |
|--|--|----------------------------------|---|------------------|--|----------------------|
| UNLESS OTHERWISE SPECIFIED, DIMENSIONS ARE IN INCHES [mm] DIMENSIONAL TOLERANCES: .X = ±.1 [2.54] .XX = ±.01 [.25] .XXX = ±.005 [.13] ANGULAR TOLERANCES: ALL = ± 1° | APPROVALS | DATE | 50 HIGH STREET NORTH ANDOVER, MA 01845 | | | |
| | DRAWN BY B.PUCHASKI | 03/20/12 | | | <table border="1"> <tr> <td>CHECKED BY P.PESA</td> <td>03/20/12</td> </tr> <tr> <td>APPROVED BY P.PESA</td> <td>03/20/12</td> </tr> </table> | CHECKED BY P.PESA |
| CHECKED BY P.PESA | 03/20/12 | | | | | |
| APPROVED BY P.PESA | 03/20/12 | | | | | |
| | CONFIGURATION DETAILS OF UNDIMENSIONED FEATURES MAY VARY | | CATEGORY ANTENNA | | | |
| | COLOR VARIATIONS MAY OCCUR | | PRODUCT DESCRIPTION 5.1-5.8GHz 16dBi 120° DUAL POLARITY SECTOR ANTENNA W/N-FEMALE CONNECTOR | | | |
| SIZE A | | FSCM NO. 43321 | DWG. NO. HG5158-16DP-120 | REV. D | | |
| SCALE: NONE | | CAD FILE: HG5158-16DP-120.SLDDRW | | SHEET 1 OF 1 | | |