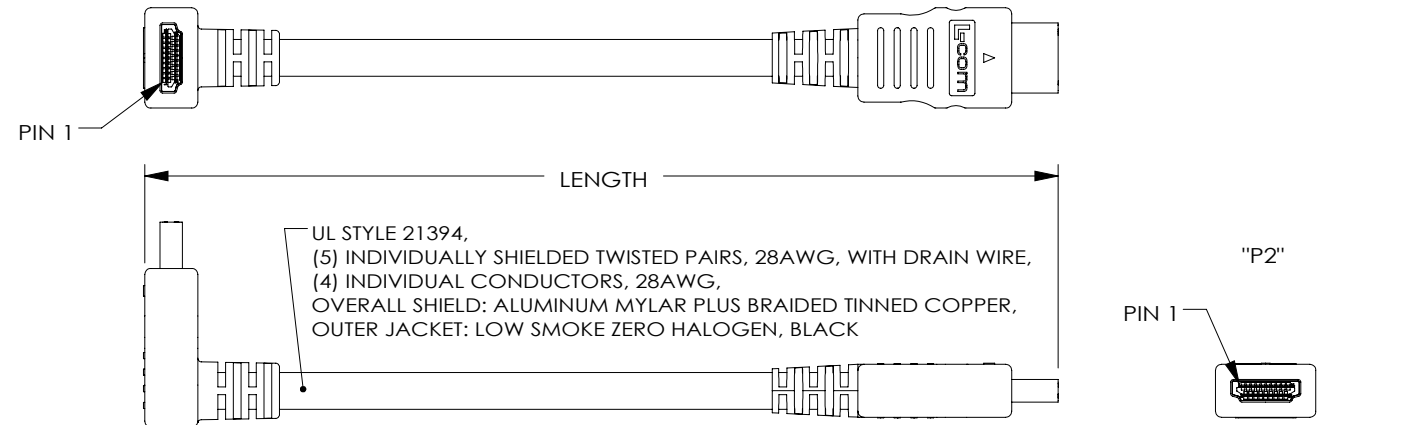
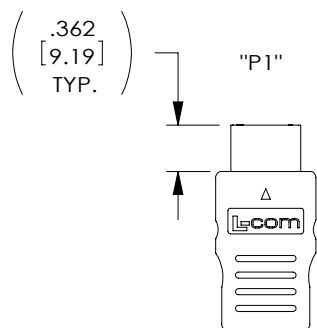
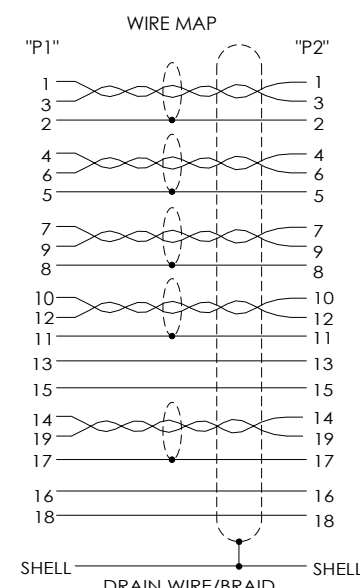


THE INFORMATION CONTAINED IN THIS DRAWING IS THE SOLE PROPERTY OF L-COM, INC. ANY REPRODUCTION IN PART OR WHOLE WITHOUT THE WRITTEN PERMISSION OF L-COM, INC. IS PROHIBITED.

REVISIONS			
REV	DESCRIPTION	DATE	APPROVED
A	INITIAL RELEASE	12/27/11	D.GRIFFIN
B	ECN 9020; REVISED NOTES TO REMOVE HDMI LABEL, NEW DWG FORMAT	12/22/2017	B.ZHANG



UL STYLE 21394,  
 (5) INDIVIDUALLY SHIELDED TWISTED PAIRS, 28AWG, WITH DRAIN WIRE,  
 (4) INDIVIDUAL CONDUCTORS, 28AWG,  
 OVERALL SHIELD: ALUMINUM MYLAR PLUS BRAIDED TINNED COPPER,  
 OUTER JACKET: LOW SMOKE ZERO HALOGEN, BLACK



MODEL NO.	LENGTH METERS [FEET]
HDRAZ4-0.5	0.5 [1.64]
HDRAZ4-1	1.0 [3.28]
HDRAZ4-2	2.0 [6.56]
HDRAZ4-3	3.0 [9.84]
HDRAZ4-4	4.0 [13.12]
HDRAZ4-5	5.0 [16.41]

2X, MOLDED HOOD AND STRAIN RELIEF, LSZH, BLACK

**NOTES:**

1. CABLE ASSEMBLY SHALL BE TESTED FOR CONTINUITY.
2. CABLE ASSEMBLY SHALL BE INDIVIDUALLY PACKAGED IN ACCORDANCE WITH L-COM SPECIFICATION PS-0031.
3. DUST COVERS INSTALLED FOR SHIPPING (NOT SHOWN).

**REGULATORY COMPLIANCE:**  
 CE2011/65/EU (RoHS DIRECTIVE)

UNLESS OTHERWISE SPECIFIED, DIMENSIONS ARE IN INCHES [mm] OVERALL CABLE LENGTH TOLERANCE: $\leq 12$ [305] = +1 [25] / -0 $>12$ [305] $\leq 60$ [1524] = +2 [51] / -0 $>60$ [1524] $\leq 120$ [3048] = +4 [102] / -0 $>120$ [3048] $\leq 300$ [7620] = +6 [152] / -0 $>300$ [7620] = +3% / -0% ALL OTHER DIMENSIONAL TOLERANCES: .X = ± .2[5.08] .XX = ± .02[.51] .XXX = ±.005[.13]	APPROVALS DRAWN BY D.FRISIELLO	DATE 11/15/11	45 BEECHWOOD DRIVE NORTH ANDOVER, MA 01845			
	CHECKED BY R.SCOTT	11/15/11		CATEGORY AUDIO/VIDEO		
	APPROVED BY P.McNEIL	11/15/11	PRODUCT DESCRIPTION CA, HDMI RA BOTTOM EXIT TO STR LSZH			
	PROJECTION 	CONFIGURATION DETAILS OF UNDIMENSIONED FEATURES MAY VARY	COLOR VARIATIONS MAY OCCUR	SIZE <b>A</b>	FSCM NO. <b>43321</b>	DWG. NO. <b>HDRAZ4</b>

SCALE: NONE CAD FILE: HDRAZ4.SLDDRW SHEET 1 OF 1