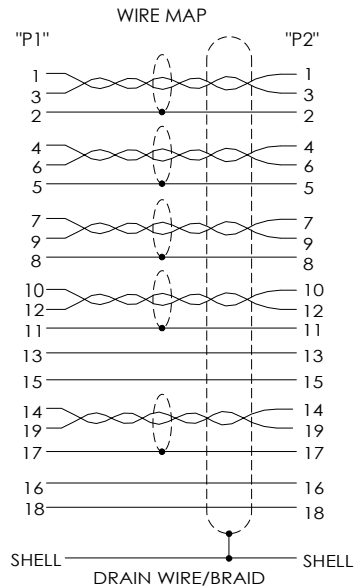
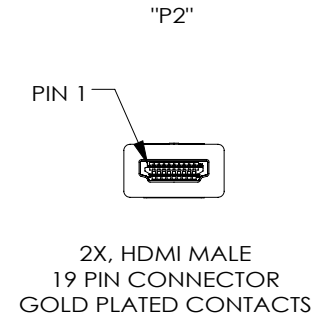
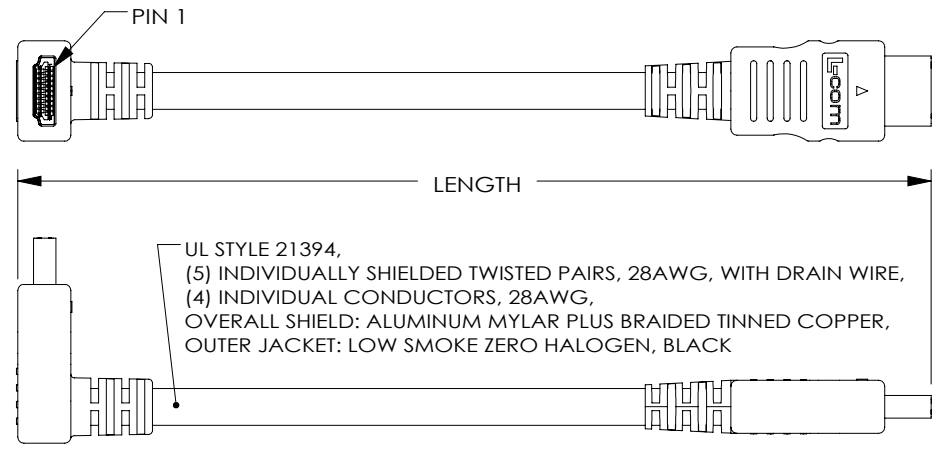
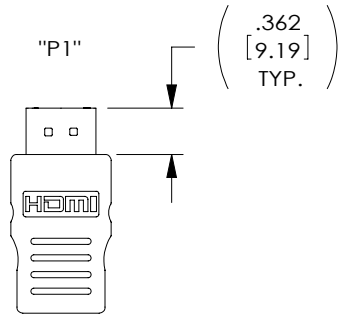


THE INFORMATION CONTAINED IN THIS DRAWING IS THE SOLE PROPERTY OF L-COM, INC. ANY REPRODUCTION IN PART OR WHOLE WITHOUT THE WRITTEN PERMISSION OF L-COM, INC. IS PROHIBITED.

REVISIONS			
REV	DESCRIPTION	DATE	APPROVED
A	INITIAL RELEASE	12/27/11	D.GRIFFIN
B	ECN 9020; REVISED NOTES TO REMOVE HDMI LABEL, NEW DWG FORMAT	12/22/2017	B.ZHANG



MODEL NO.	LENGTH METERS [FEET]
HDRAZ3-0.5	0.5 [1.64]
HDRAZ3-1	1.0 [3.28]
HDRAZ3-2	2.0 [6.56]
HDRAZ3-3	3.0 [9.84]
HDRAZ3-4	4.0 [13.12]
HDRAZ3-5	5.0 [16.41]

2X, MOLDED HOOD AND STRAIN RELIEF, LSZH, BLACK

NOTES:

1. CABLE ASSEMBLY SHALL BE TESTED FOR CONTINUITY.
2. CABLE ASSEMBLY SHALL BE INDIVIDUALLY PACKAGED IN ACCORDANCE WITH L-COM SPECIFICATION PS-0031.
3. DUST COVERS INSTALLED FOR SHIPPING (NOT SHOWN).

REGULATORY COMPLIANCE:
CE2011/65/EU(RoHS DIRECTIVE)

UNLESS OTHERWISE SPECIFIED, DIMENSIONS ARE IN INCHES [mm] OVERALL CABLE LENGTH TOLERANCE: ≤12 [305] = +1 [25] / -0 >12 [305] ≤60 [1524] = +2 [51] / -0 >60 [1524] ≤120 [3048] = +4 [102] / -0 >120 [3048] ≤300 [7620] = +6 [152] / -0 >300 [7620] = +3% / -0%	APPROVALS	DATE		50 HIGH STREET NORTH ANDOVER, MA 01845
	DRAWN BY D.FRISIELLO	11/15/11		CATEGORY
ALL OTHER DIMENSIONAL TOLERANCES: .X = ± .2[5.08] .XX = ± .02[.51] .XXX = ±.005[.13]	CHECKED BY R.SCOTT	11/15/11	PRODUCT DESCRIPTION	
	APPROVED BY P.McNEIL	11/15/11	CA, HDMI RA TOP EXIT TO STR, LSZH	
PROJECTION	CONFIGURATION DETAILS OF UNDIMENSIONED FEATURES MAY VARY	COLOR VARIATIONS MAY OCCUR	SIZE A	FSCM NO. 43321
			DWG. NO. HDRAZ3	REV. B
			SCALE: NONE	CAD FILE: HDRAZ3.SLDDRW
				SHEET 1 OF 1