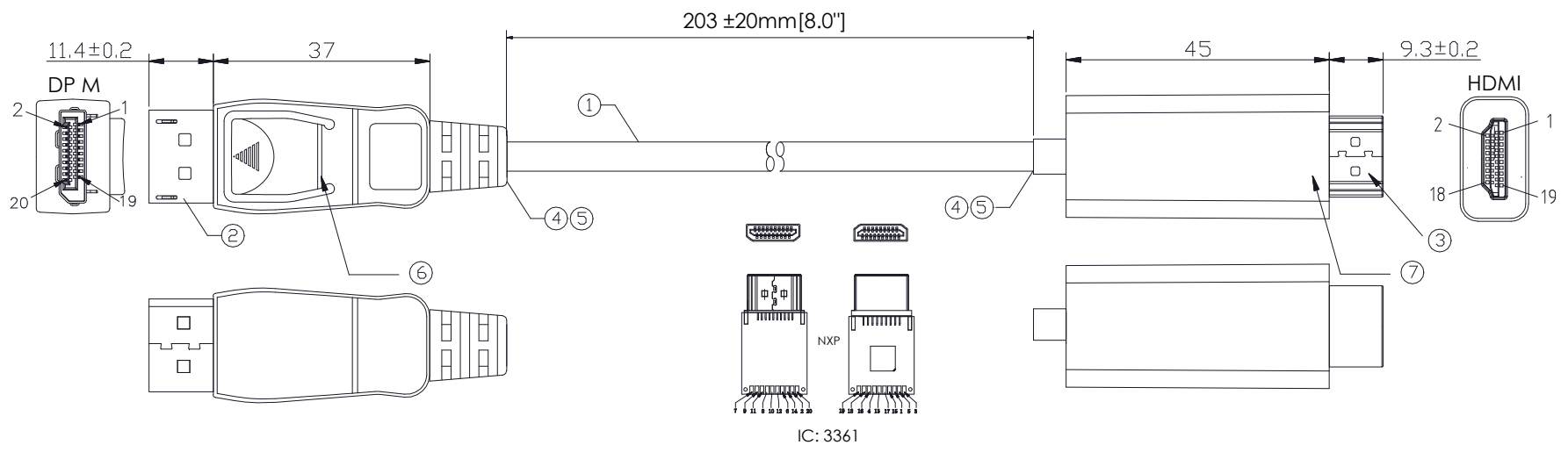


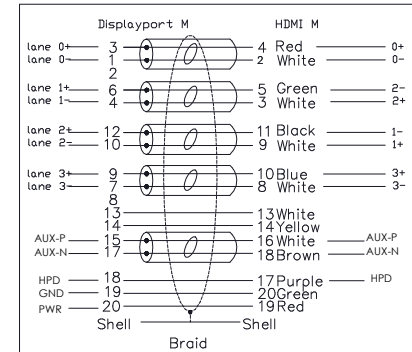
THE INFORMATION CONTAINED IN THIS DRAWING IS THE SOLE PROPERTY OF L-COM, INC. ANY REPRODUCTION IN PART OR WHOLE WITHOUT THE WRITTEN PERMISSION OF L-COM, INC. IS PROHIBITED.

REVISIONS			
REV	DESCRIPTION	DATE	APPROVED
A	INITIAL RELEASE	03/30/17	J.LABOY
B	ECN 8743: CHANGE PACKAGING SPEC FROM PKG-00012 TO PS-0031.	05/01/17	J.LABOY



DIMENSION IN METRIC

ITEM	DESCRIPTION	UNIT	QTY
7	COVER HDMI A/M BOX ABS WHITE	SET	1
6	COVER FOR DP ABS BLACK	SET	1
5	IN/MOLDING PE, COLOR: WHITE, ROHS	SET	1
4	SR PVC 45P, COLOR: BLACK, ROHS	SET	1
3	CONNECTOR HDMI +PCB 4K*2K 171 SOLDER TYPE WITH COVER PIN G/F, SHELL NICKEL PLATED	SET	1
2	CONNECTOR DISPLAYPORT 20P M SOLDER TYPE WITH COVER PIN G/F, SHELL NICKEL PLATED	SET	1
1	CABLE [(7/0.08T*1P+D+AL+MYLAR)*5P+7/0.10T*1C+7/0.08T*4C+AL+ADB 16/7/0.12], *1C OD=5.0mm, COLOR:BLACK	MM	203mm



NOTES:
ELECTRICAL CHARACTER:
100% MAC TO HDTV 1080P TEST

PACKAGING:
COMPONENT SHALL BE PACKAGED IN ACCORDANCE WITH L-COM SPEC PS-0031

REGULATORY COMPLIANCE:
CE 2011/65/EU (RoHS DIRECTIVE)



UNLESS OTHERWISE SPECIFIED, DIMENSIONS ARE IN INCHES [mm] OVERALL CABLE LENGTH TOLERANCE: ≤12 [305] = +1 [25] / -0 >12 [305] ≤60 [1524] = +2 [51] / -0 >60 [1524] ≤120 [3048] = +4 [102] / -0 >120 [3048] ≤300 [7620] = +6 [152] / -0 >300 [7620] = +5% / -0% ALL OTHER DIMENSIONAL TOLERANCES: .X = ± .2 [5.08] .XX = ± .02 [1.51] .XXX = ± .005 [1.13]	APPROVALS DRAWN BY B.PUCHASKI CHECKED BY J.LABOY APPROVED BY B.GATES	DATE 02/27/17 02/27/17 02/27/17	50 HIGH STREET NORTH ANDOVER, MA 01845		
	CONFIGURATION DETAILS OF UNDIMENSIONED FEATURES MAY VARY	CATEGORY AUDIO/VIDEO		PRODUCT DESCRIPTION HDMI MALE TO DP MALE DONGLE	
PROJECTION 	COLOR VARIATIONS MAY OCCUR	SIZE A	FSCM NO. 43321	DWG. NO. HD-DPI-MM-8	REV. B
SCALE: NONE		CAD FILE: HD-DPI-MM-8.SLDDRW		SHEET 1 OF 1	

D
C
B
A

D
C
B
A