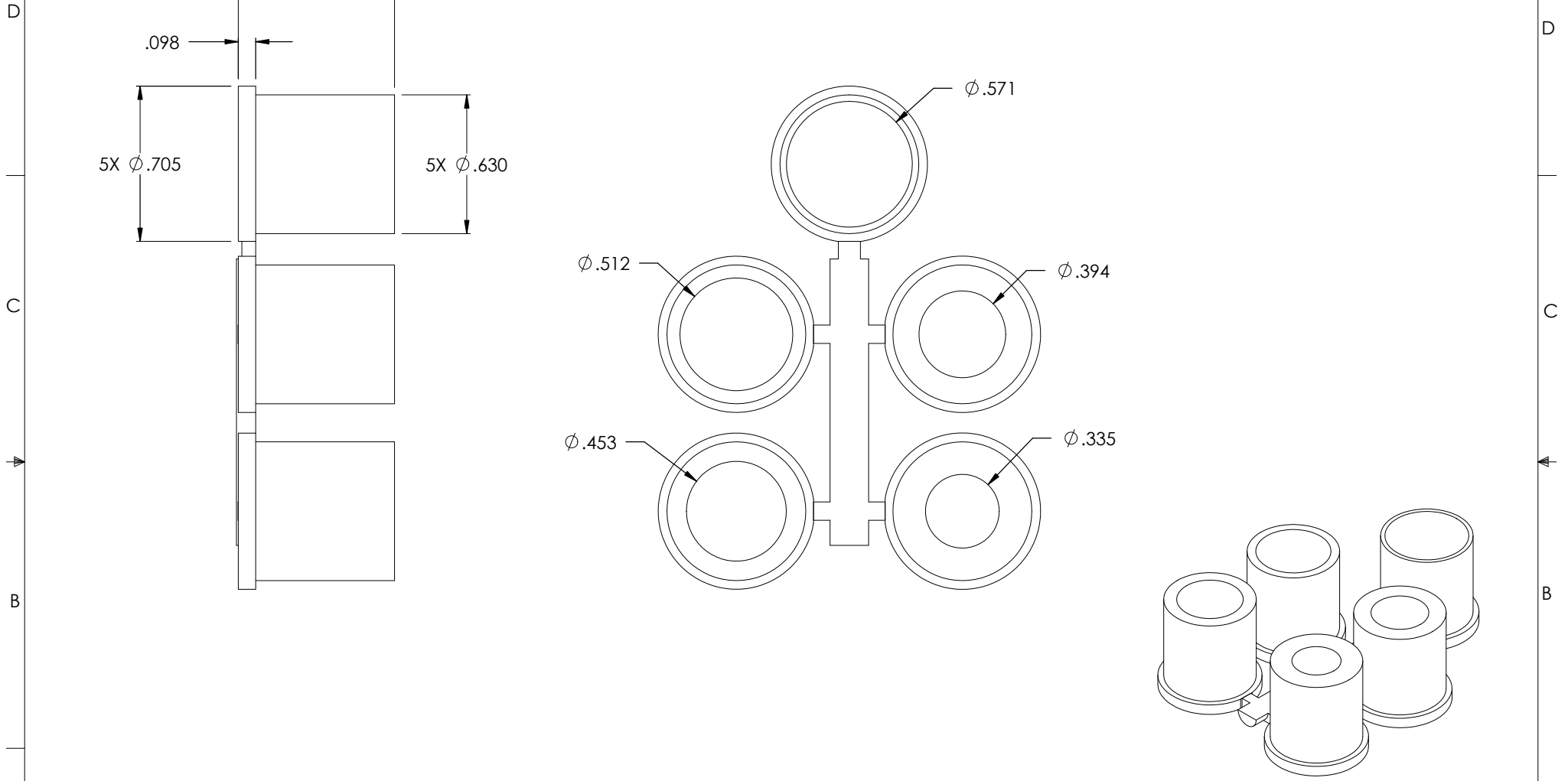


THE INFORMATION CONTAINED IN THIS DRAWING IS THE SOLE PROPERTY OF L-COM, INC. ANY REPRODUCTION IN PART OR WHOLE WITHOUT THE WRITTEN PERMISSION OF L-COM, INC. IS PROHIBITED.

REVISIONS			
REV	DESCRIPTION	DATE	APPROVED
A	INITIAL RELEASE	12/1/04	T CLARK



NOTES:

- GROMMETS ARE INTENDED FOR STRAIN RELIEF USE WITH L-COM SDC37AG AND SDC50AG HOODS.
- MATERIAL: POLYVINYLCHLORIDE, BLACK.

UNLESS OTHERWISE SPECIFIED,
DIMENSIONS ARE IN INCHES
TOLERANCES ARE:
X ±.1
XX ±.05
XXX ±.005
CABLE LENGTH TOLERANCE
<300" ±5% >300" ±2%

APPROVALS	DATE
DRAWN BY T CLARK	11/4/2004
CHECKED BY D PARHAM	12/1/2004
APPROVED BY C MCCORMICK	12/1/2004

CONFIGURATION DETAILS OF
UNDIMENSIONED FEATURES
MAY VARY

L-com
CONNECTIVITY PRODUCTS
45 BEECHWOOD DRIVE
NORTH ANDOVER, MA
01845

PRODUCT DESCRIPTION
GROMMET SET FOR SDC37AG & SDC50AG

DRAWING TITLE
OUTLINE DRAWING

SIZE A	FSCM NO. 43321	DWG. NO. GROM-37&50-OD1	REV. A
SCALE: NONE		CAD FILE: GROM-37&50-OD1.SLDDRW	SHEET 1 OF 1