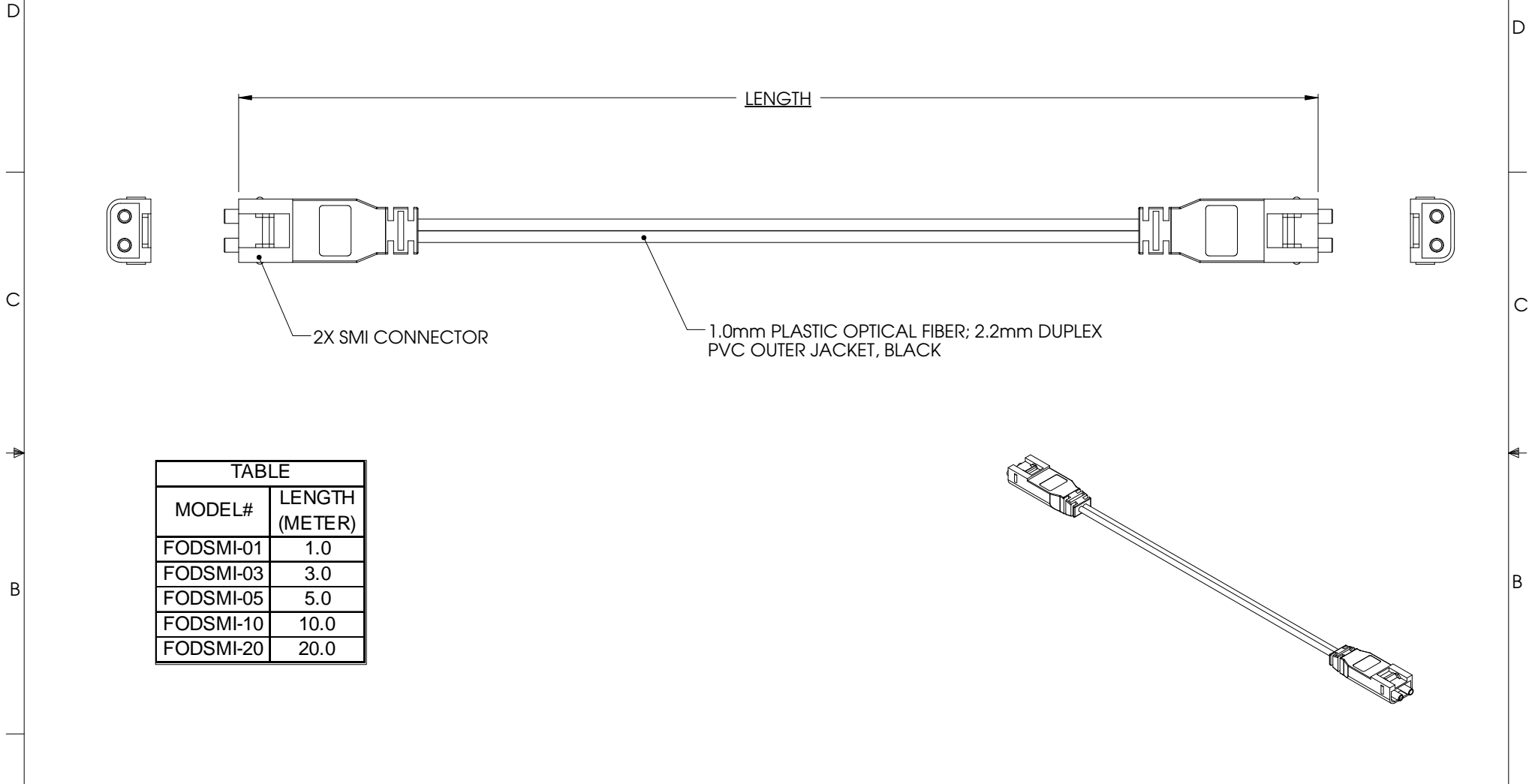
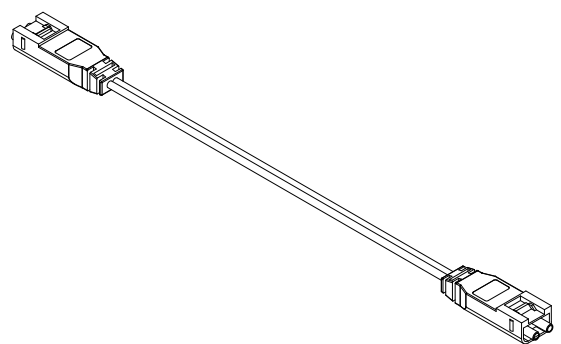


THE INFORMATION CONTAINED IN THIS DRAWING IS THE SOLE PROPERTY OF L-COM, INC. ANY REPRODUCTION IN PART OR WHOLE WITHOUT THE WRITTEN PERMISSION OF L-COM, INC. IS PROHIBITED.

REVISIONS			
REV	DESCRIPTION	DATE	APPROVED
A	INITIAL RELEASE	04/28/06	MCCORMICK



MODEL#	LENGTH (METER)
FODSMI-01	1.0
FODSMI-03	3.0
FODSMI-05	5.0
FODSMI-10	10.0
FODSMI-20	20.0



UNLESS OTHERWISE SPECIFIED, DIMENSIONS ARE IN INCHES. TOLERANCES ARE:
 X ±.1
 XX ±.05
 XXX ±.005
 CABLE LENGTH TOLERANCE
 ≤300' ±5% >300' ±2%

APPROVALS	DATE
DRAWN BY C.MCCORMICK	04/28/2006
CHECKED BY D.PARHAM	04/28/2006
APPROVED BY J.KIEZULAS	04/28/2006

CONFIGURATION DETAILS OF UNDIMENSIONED FEATURES MAY VARY

L-com CONNECTIVITY PRODUCTS		45 BEECHWOOD DRIVE NORTH ANDOVER, MA 01845	
PRODUCT DESCRIPTION SMI / SMI DUPLEX POF CABLE ASSEMBLY			
DRAWING TITLE OUTLINE DRAWING			
SIZE A	FSCM NO. 43321	DWG. NO. FODSMI-01-OD1	REV. A
SCALE: NONE		CAD FILE: FODSMI-01-OD1.SLDDRW	SHEET 1 OF 1