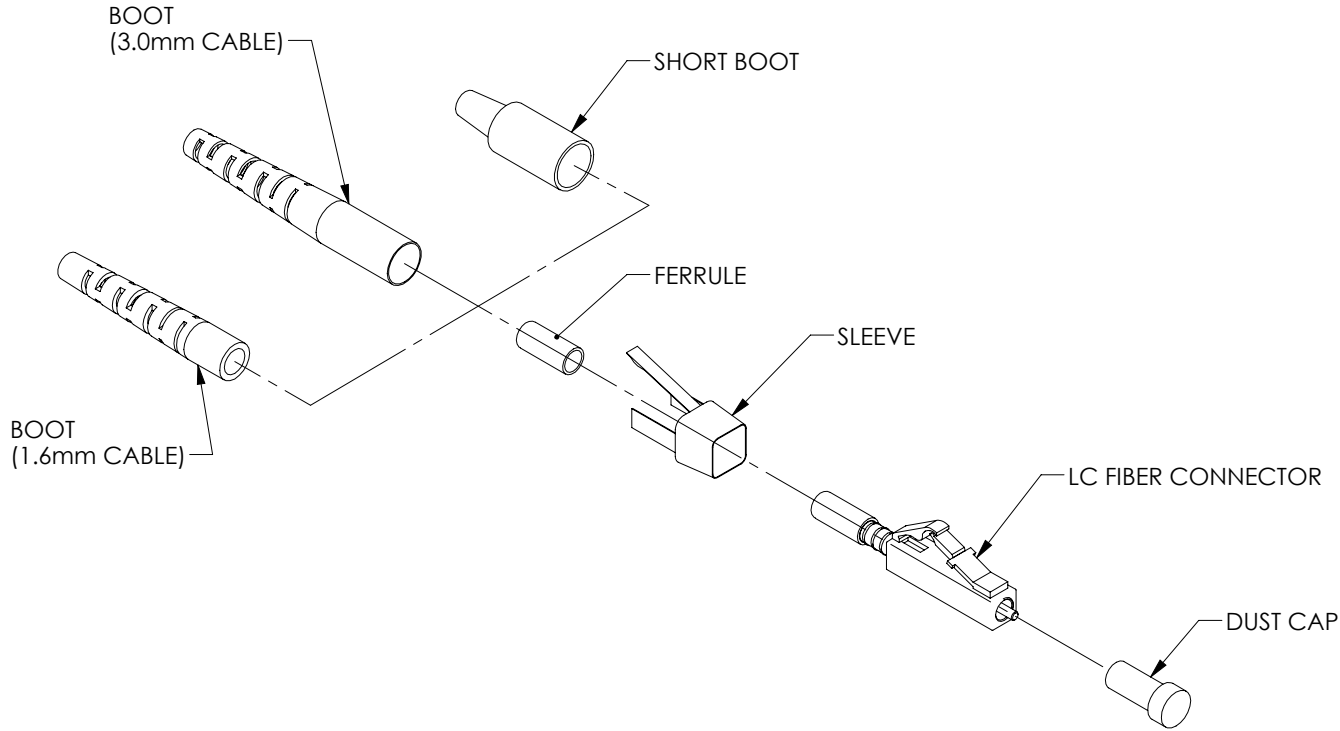


THE INFORMATION CONTAINED IN THIS DRAWING IS THE SOLE PROPERTY OF L-COM, INC. ANY REPRODUCTION IN PART OR WHOLE WITHOUT THE WRITTEN PERMISSION OF L-COM, INC. IS PROHIBITED.

RoHS Compliant ✓


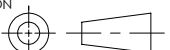
| REVISIONS | | | |
|-----------|-----------------|--------|-----------|
| REV | DESCRIPTION | DATE | APPROVED |
| A | INITIAL RELEASE | 8/6/12 | D.GRIFFIN |
| | | | |
| | | | |



NOTES:

MATERIALS:
 CONNECTOR: ABS, BLACK
 SLEEVE: ABS, BLACK
 FERRULE: COPPER
 BOOTS: PVC, GRAY
 SHORT BOOT: PVC, BLACK

MISCELLANEOUS:
 LC CONNECTOR UTILIZES A "PC" POLISH.
 DUST CAPS ARE INSTALLED FOR SHIPPING.

| | | | |
|--|--|---|--|
| UNLESS OTHERWISE SPECIFIED, DIMENSIONS ARE IN INCHES [mm] OVERALL CABLE LENGTH TOLERANCE: ≤ 12 [305] = +1 [25] / -0 > 12 [305] ≤ 60 [1524] = +2 [51] / -0 > 60 [1524] ≤ 120 [3048] = +4 [102] / -0 > 120 [3048] ≤ 300 [7620] = +6 [152] / -0 > 300 [7620] = +3% / -0% ALL OTHER DIMENSIONAL TOLERANCES: .X = ± .2 .XX = ± .02 .XXX = ± .005 | APPROVALS DRAWN BY D.FRISIELLO | DATE 8/1/13 |  45 BEECHWOOD DRIVE NORTH ANDOVER, MA 01845 |
| | CHECKED BY D.GALLAGHER | DATE 8/1/13 | |
| PROJECTION  | CONFIGURATION DETAILS OF UNDIMENSIONED FEATURES MAY VARY | PRODUCT DESCRIPTION UNICAM LC CONN 50/125 MM | SCALE: NONE CAD FILE: FOC-9505099.SLDDRW SHEET 1 OF 1 |
| COLOR VARIATIONS MAY OCCUR | SIZE A | FSCM NO. 43321 | DWG. NO. FOC-9505099 |

D
C
B
A

D
C
B
A

8 7 6 5 4 3 2 1

8 7 6 5 4 3 2 1