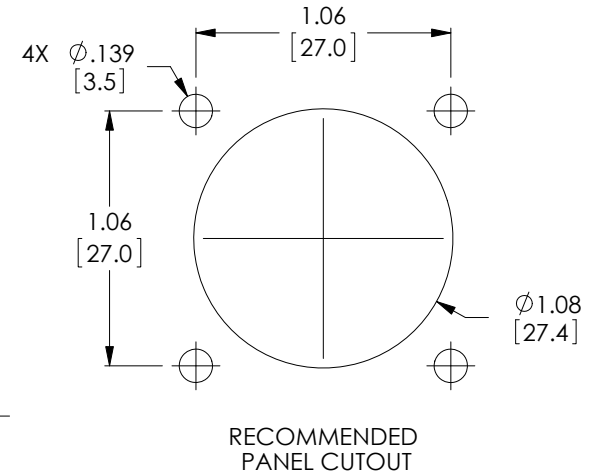
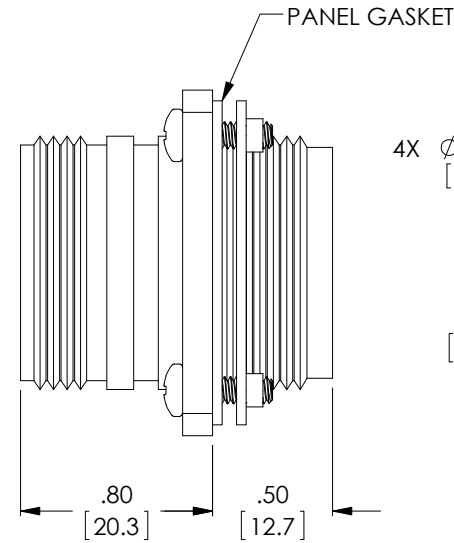
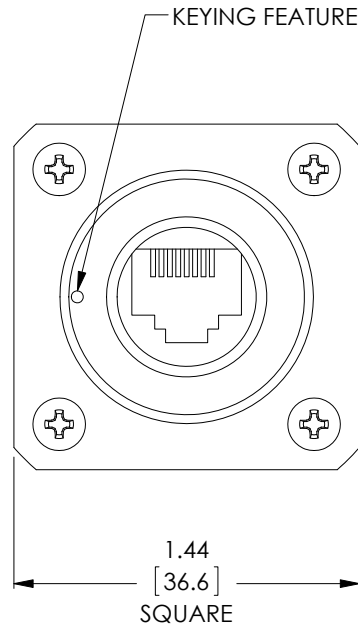
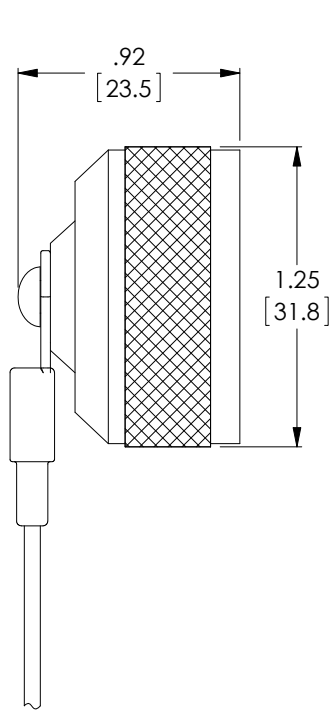


THE INFORMATION CONTAINED IN THIS DRAWING IS THE SOLE PROPERTY OF L-COM, INC. ANY REPRODUCTION IN PART OR WHOLE WITHOUT THE WRITTEN PERMISSION OF L-COM, INC. IS PROHIBITED.

RoHS Compliant ✓

REVISIONS			
REV	DESCRIPTION	DATE	APPROVED
A	INITIAL RELEASE	11/7/11	D.GRIFFIN
B	ECN 6379: UPDATE DRAWING LAYOUT. UPDATED NOTES	9/25/12	D. DESJARDIN



NOTES:

- MATERIAL:**
 EXTERNAL PARTS: ALUMINUM/BLACK ANODIZE
 INTERNAL PARTS: ALUMINUM
 MISC. HARDWARE: STAINLESS STEEL
 SEALS: SILICONE/NITRILE
 LANYARD: STAINLESS STEEL (NYLON COAT)
- RATING:** IP-68
- KIT INCLUDES:**
 (1) DUST CAP WITH LANYARD
 (1) MOUNTING BRACKET
 (1) GASKET
 (4) SCREWS, PHILLIPS HEAD, SST, #4-40 X .375
- ALL DIMENSIONS ARE FOR REFERENCE ONLY.**
- COMPONENT SHALL BE INDIVIDUALLY PACKAGED IN ACCORDANCE WITH L-COM SPECIFICATION LSP-010-1**

UNLESS OTHERWISE SPECIFIED, DIMENSIONS ARE IN INCHES [mm] OVERALL CABLE LENGTH TOLERANCE: ≤12 [305] = +1 [25] / -0 >12 [305] ≤60 [1524] = +2 [51] / -0 >60 [1524] ≤120 [3048] = +4 [102] / -0 >120 [3048] ≤300 [7620] = +6 [152] / -0 >300 [7620] = +3% / -0% ALL OTHER DIMENSIONAL TOLERANCES: .X = ± .2 .XX = ± .02 .XXX = ± .005	APPROVALS DRAWN BY: D. CASTRO CHECKED BY: D. PARHAM APPROVED BY: D. GUITTADAURO	DATE 10/11/11 10/17/11 10/18/11	45 BEECHWOOD DRIVE NORTH ANDOVER, MA 01845
	TELECOM/MODULAR		
PROJECTION 	CONFIGURATION DETAILS OF UNDIMENSIONED FEATURES MAY VARY	COLOR VARIATIONS MAY OCCUR	CATEGORY: TELECOM/MODULAR
SCALE: NONE	FSCM NO.: A 43321	DWG. NO.: ECRH3201U00	REV. B
CAD FILE: ECRH3201U00.SLDDRW		SHEET 1 OF 1	