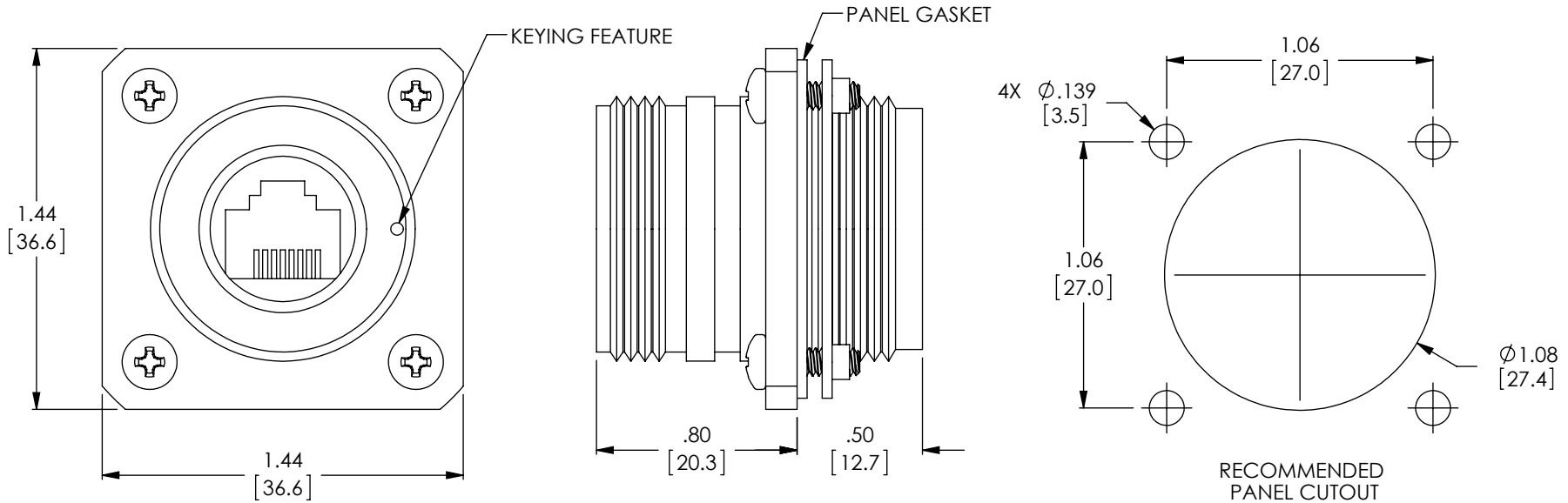


THE INFORMATION CONTAINED IN THIS DRAWING IS THE SOLE PROPERTY OF L-COM, INC. ANY REPRODUCTION IN PART OR WHOLE WITHOUT THE WRITTEN PERMISSION OF L-COM, INC. IS PROHIBITED.

RoHS Compliant ✓

| REVISIONS | | | |
|-----------|--|---------|--------------|
| REV | DESCRIPTION | DATE | APPROVED |
| A | INITIAL RELEASE | 11/7/11 | D.GRIFFIN |
| B | ECN 6211: REMOVED NOTE FOR LANYARD | 7/31/12 | D.FRISIELLO |
| C | ECN 6379: UPDATE DRAWING LAYOUT. UPDATED NOTES | 9/25/12 | D. DESJARDIN |



NOTES:

- MATERIAL:
EXTERNAL PARTS: ALUMINUM/BLACK ANODIZE
INTERNAL PARTS: ALUMINUM
MISC. HARDWARE: STAINLESS STEEL
SEALS: SILICONE
- RATING: IP-68
- KIT INCLUDES:
(1) MOUNTING BRACKET
(1) GASKET
(4) SCREWS, PPH, SS, #4-40 X .375
- ALL DIMENSIONS ARE FOR REFERENCE ONLY.
- COMPONENT SHALL BE INDIVIDUALLY PACKAGED IN ACCORDANCE WITH L-COM SPECIFICATION LSP-010-1

| | | | | |
|--|-------------------------------|------------------|--|--|
| UNLESS OTHERWISE SPECIFIED, DIMENSIONS ARE IN INCHES [mm] OVERALL CABLE LENGTH TOLERANCE: $\le 12 [305] = +1 [25] / -0$ $>12 [305] \le 60 [1524] = +2 [51] / -0$ $>60 [1524] \le 120 [3048] = +4 [102] / -0$ $>120 [3048] \le 300 [7620] = +6 [152] / -0$ $>300 [7620] = +3\% / -0\%$ | APPROVALS | DATE | | 45 BEECHWOOD DRIVE NORTH ANDOVER, MA 01845 |
| | DRAWN BY D. CASTRO | 10/11/12 | | |
| ALL OTHER DIMENSIONAL TOLERANCES: .X = ±.2 .XX = ±.02 .XXX = ±.005 | CHECKED BY D. PARHAM | 10/17/12 | CATEGORY TELECOM/MODULAR | |
| | APPROVED BY D. GUTTADAURO | 10/18/11 | PRODUCT DESCRIPTION FLNG MNT SEALED ANOD W/HW | |
| PROJECTION | COLOR VARIATIONS MAY OCCUR | SIZE A | FSCM NO. 43321 | DWG. NO. ECRH0201U00 |
| | | SCALE: NONE | CAD FILE: ECRH0201U00.SLDDRW | SHEET 1 OF 1 |