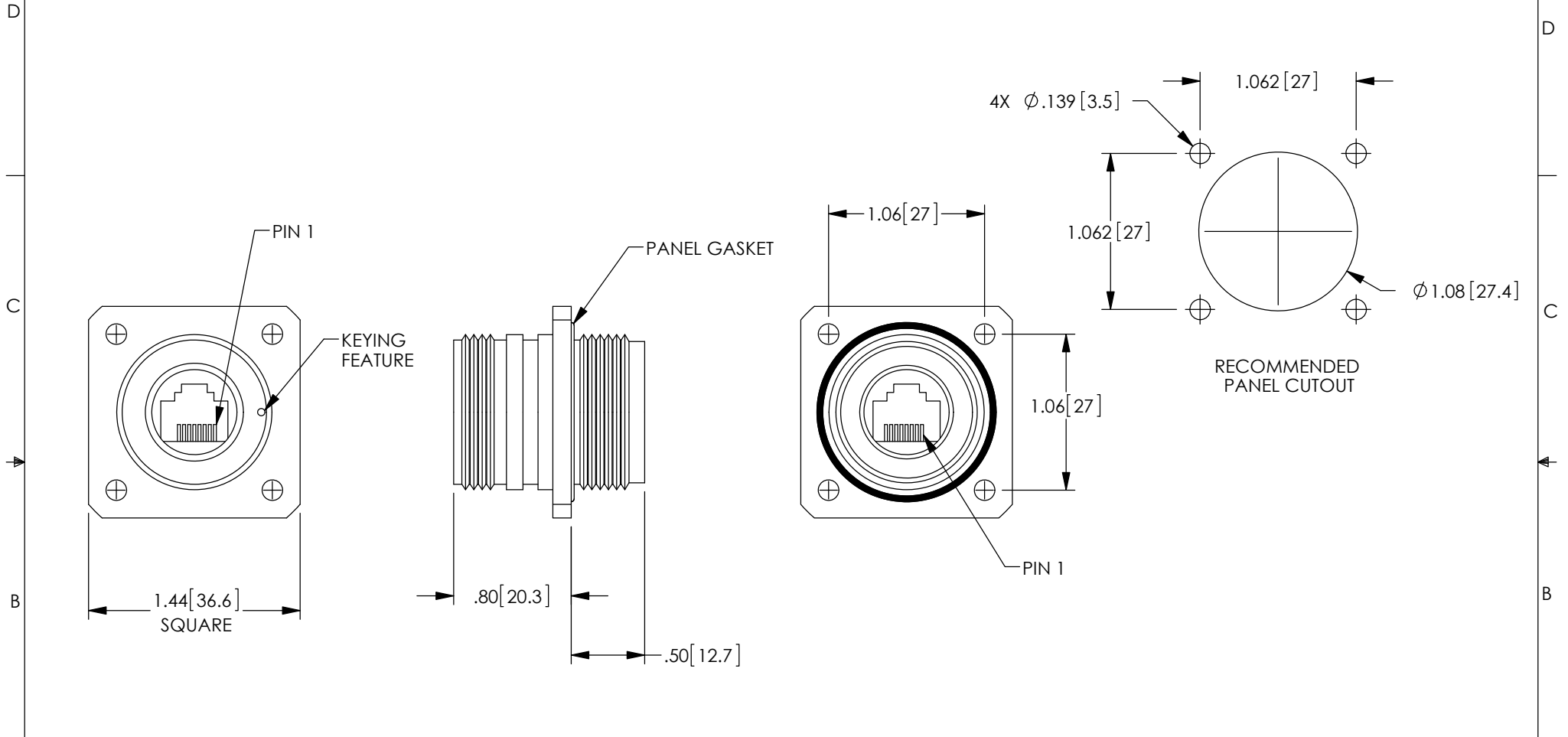


THE INFORMATION CONTAINED IN THIS DRAWING IS THE SOLE PROPERTY OF L-COM, INC. ANY REPRODUCTION IN PART OR WHOLE WITHOUT THE WRITTEN PERMISSION OF L-COM, INC. IS PROHIBITED.

REVISIONS			
REV	DESCRIPTION	DATE	APPROVED
A	INITIAL RELEASE	11/7/11	D.GRIFFIN
B	ECN 6311: REMOVED NOTE FOR LANYARD	7/31/12	D.FRISIELLO
C	ECN 6379: REDRAWN FROM 3D MODEL	9/14/12	D.FRISIELLO



**NOTES:**

- MATERIAL:**  
 EXTERNAL PARTS: ALUMINUM/ZINC-NICKEL  
 INTERNAL PARTS: ALUMINUM  
 MISC: MOUNTING HARDWARE NOT INCLUDED.  
 RATED: IP-68  
 SEALS: SILICONE/NITRILE
- ALL DIMENSIONS ARE FOR REFERENCE ONLY.
- COMPONENT SHALL BE INDIVIDUALLY PACKAGED IN ACCORDANCE WITH L-COM SPECIFICATION LSP-010-1.

UNLESS OTHERWISE SPECIFIED, DIMENSIONS ARE IN INCHES [mm] OVERALL CABLE LENGTH TOLERANCE: ≤12 [305] = +1 [25] / -0 >12 [305] ≤60 [1524] = +2 [51] / -0 >60 [1524] ≤120 [3048] = +4 [102] / -0 >120 [3048] ≤300 [7620] = +6 [152] / -0 >300 [7620] = +3% / -0%	APPROVALS	DATE		45 BEECHWOOD DRIVE NORTH ANDOVER, MA 01845
	DRAWN BY D. CASTRO	10/10/11		
ALL OTHER DIMENSIONAL TOLERANCES: .X = ±.2 .XX = ±.02 .XXX = ±.005	CHECKED BY D. PARHAM	10/17/11	PRODUCT DESCRIPTION <b>FLNG MNT SEALED ZNNI</b>	
	APPROVED BY D. GUITADAURO	10/18/11		
PROJECTION	COLOR VARIATIONS MAY OCCUR	SCALE: NONE CAD FILE: ECRD0203U00.SLDDRW SHEET 1 OF 1		