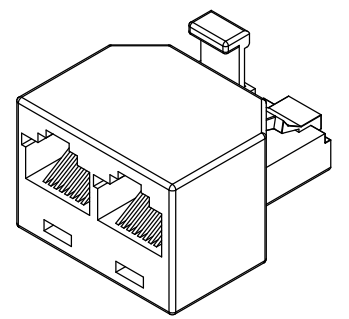
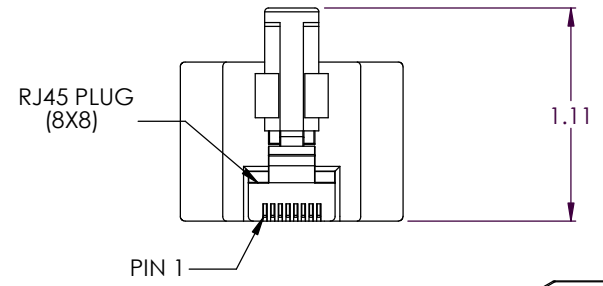
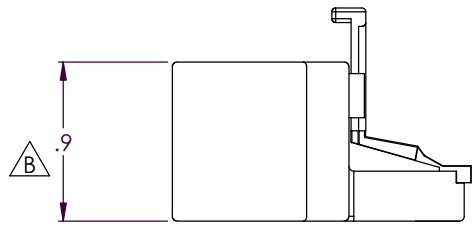
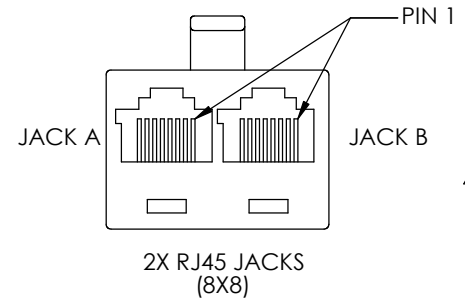
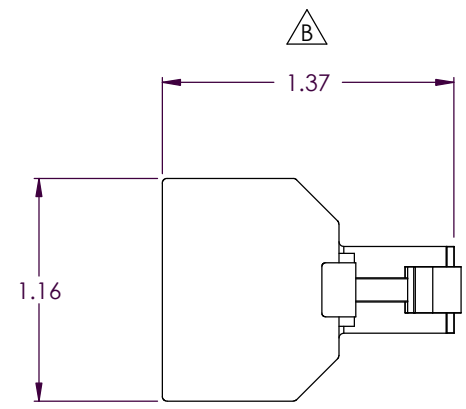


THE INFORMATION CONTAINED IN THIS DRAWING IS THE SOLE PROPERTY OF L-COM, INC.. ANY REPRODUCTION IN PART OR WHOLE WITHOUT THE WRITTEN PERMISSION OF L-COM, INC. IS PROHIBITED.

REVISIONS			
REV	DESCRIPTION	DATE	APPROVED
A	RELEASED FOR PRODUCTION	3/21/01	.
B	ECN1886: DELETED METRIC DIMS. ADDED PRODUCT VALIDATION. 1.37 WAS 1.52. 9 WAS .83	10/12/04	DFP
.	.	.	.
.	.	.	.



WIRING CHART		
PLUG	JACK A	JACK B
1	1	1
2	2	2
3	3	3
4	4	4
5	5	5
6	6	6
7	7	7
8	8	8

△ SPECIFICATIONS

MEETS MAECHANICAL REQUIREMENTS OF FCC PART 68.5 SUBPART F

HOUSING: ABS (UL94V-0 RATED)
COLOR: IVORY

CONTACTS: COPPER ALLOY
PLATING: 6 μINCHES GOLD

ELECTRICAL:
CURRENT RATING: 2 AMP (MAX)
VOLTAGE RATING: 140 VDC

TEMPERATURE RATING: -20°C TO 80°C

JACKS ACCEPT KEYED PLUGS

UNLESS OTHERWISE SPECIFIED, DIMENSIONS ARE IN INCHES. TOLERANCES ARE:
.X ±.1
.XX ±.05
.XXX ±.005
CABLE LENGTH TOLERANCE
<300" ±5% >300" ±2%

APPROVALS	DATE
DRAWN BY DOUG PARHAM	3/8/2001
CHECKED BY TOM CLARK	3/16/2001
APPROVED BY RON CARRICK	3/20/2001

CONFIGURATION DETAILS OF UNDIMENSIONED FEATURES MAY VARY

L-com CONNECTIVITY PRODUCTS		45 BEECHWOOD DRIVE NORTH ANDOVER, MA 01845	
PRODUCT DESCRIPTION MODULAR TEE ADAPTOR			
DRAWING TITLE OUTLINE DRAWING			
SIZE A	FSCM NO. 43321	DWG. NO. EC503-8-OD1	REV. B
SCALE: NONE		CAD FILE: EC503-8-OD1.SLDRW	SHEET 1 OF 1