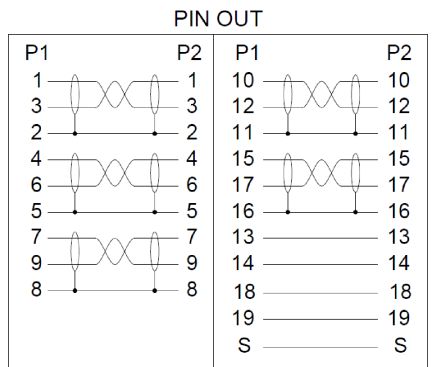
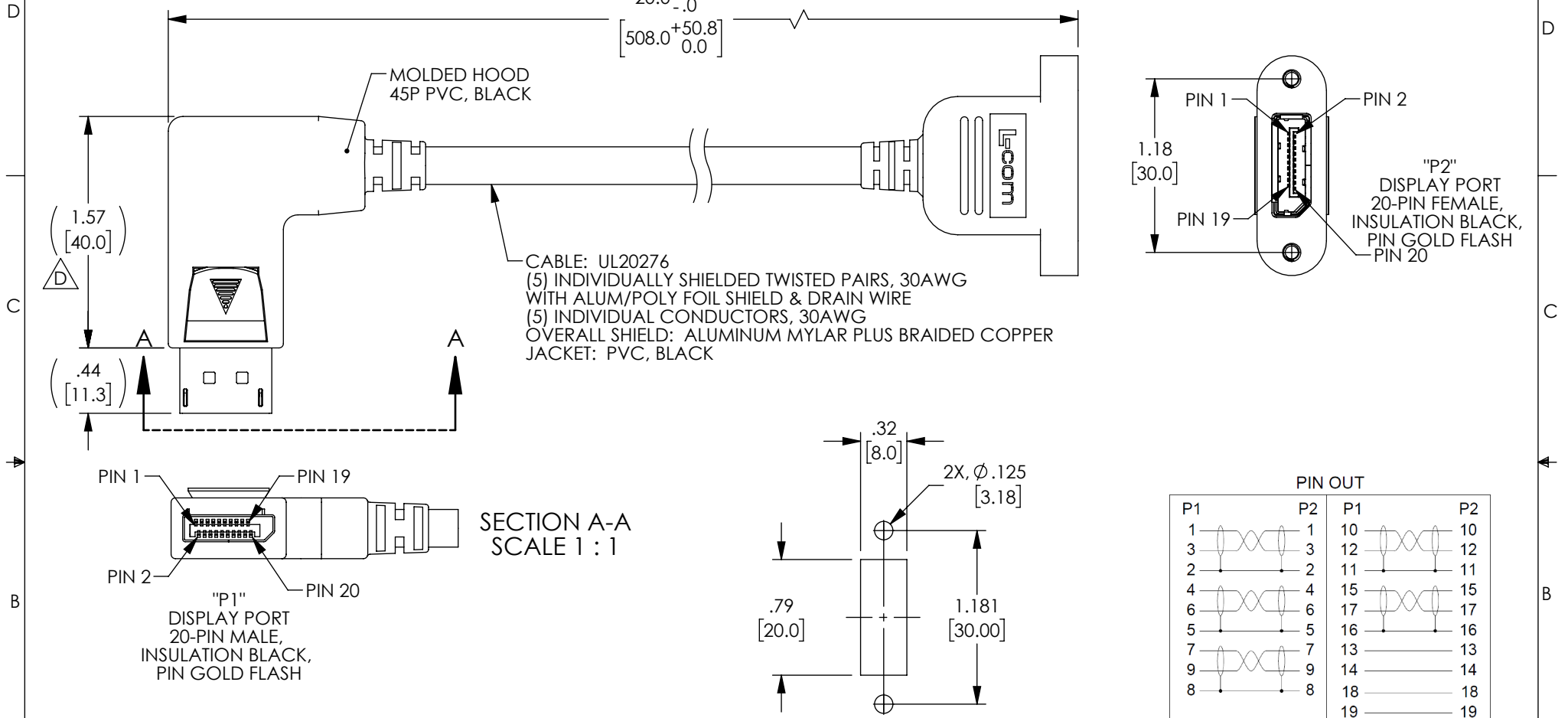


THE INFORMATION CONTAINED IN THIS DRAWING IS THE SOLE PROPERTY OF L-COM, INC. ANY REPRODUCTION IN PART OR WHOLE WITHOUT THE WRITTEN PERMISSION OF L-COM, INC. IS PROHIBITED.

REVISIONS			
REV	DESCRIPTION	DATE	APPROVED
A	INITIAL RELEASE	04/27/17	J.LABOY
B	ECN 8922: CHG TEXT "20-PIN FEMALE" TO "20-PIN MALE" AT ZONE B-6	9/13/2017	R.CLARK
C	ECN 9083: ADDED RECOMMENDED PANEL CUTOUT	3/21/18	D.FRISIELLO
D	ECN 10003 CHANGE DIMENSION 34.0mm TO 40.0mm	07/31/19	B.GATES



**NOTES:**


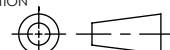
**ELECTRICAL PROPERTIES:**

- CABLE ASSEMBLY SHALL BE TESTED FOR CONTINUITY
- VOLTAGE TEST: DC 300V 10ms  
INSULATION RESISTANCE: 5.0M ohm/min  
CONDUCTANCE RESISTANCE: 5.0 ohm/max

**MISCELLANEOUS:**

MOUNTING HARDWARE INCLUDED. 2X, 4-40 UNC-2A x 3/8" LG PHILLIPS HEAD SCREW.  
CABLE ASSEMBLY SHALL BE INDIVIDUALLY PACKAGED IN ACCORDANCE WITH L-COM SPECIFICATION PS-0031

**REGULATORY COMPLIANCE:**  
CE 2011/65/EU(RoHS DIRECTIVE)

UNLESS OTHERWISE SPECIFIED, DIMENSIONS ARE IN INCHES [mm] OVERALL CABLE LENGTH TOLERANCE: ≤12 [305] = +1 [25] / -0 >12 [305] ≤60 [1524] = +2 [51] / -0 >60 [1524] ≤120 [3048] = +4 [102] / -0 >120 [3048] ≤300 [7620] = +6 [152] / -0 >300 [7620] = +3% / -0%	APPROVALS	DATE	 50 HIGH STREET NORTH ANDOVER, MA 01845		
	DRAWN BY R.CLARK	4/26/2017			
	CHECKED BY D.FRISIELLO	4/27/2017	CATEGORY	AUDIO/VIDEO	
	APPROVED BY B.GATES	4/27/2017	PRODUCT DESCRIPTION	DP RA M TO PNL MNT DP F CABLE	
ALL OTHER DIMENSIONAL TOLERANCES: .X = ±.2 [5] .XX = ±.02 [.5] .XXX = ±.005 [.13]	CONFIGURATION DETAILS OF UNDIMENSIONED FEATURES MAY VARY	SIZE <b>A</b>	CAGE CODE <b>43321</b>	DWG. NO. DPA00001-0201	REV. <b>D</b>
PROJECTION 	COLOR VARIATIONS MAY OCCUR	SCALE: NONE	SHEET 1 OF 1		

L-com (OD) 2019