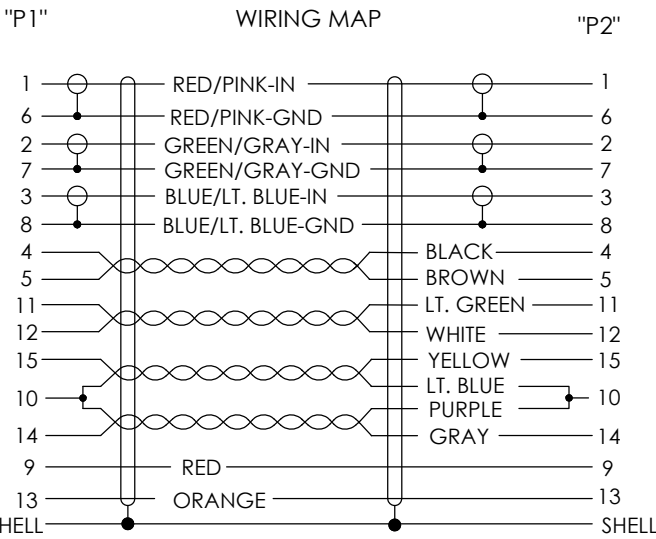
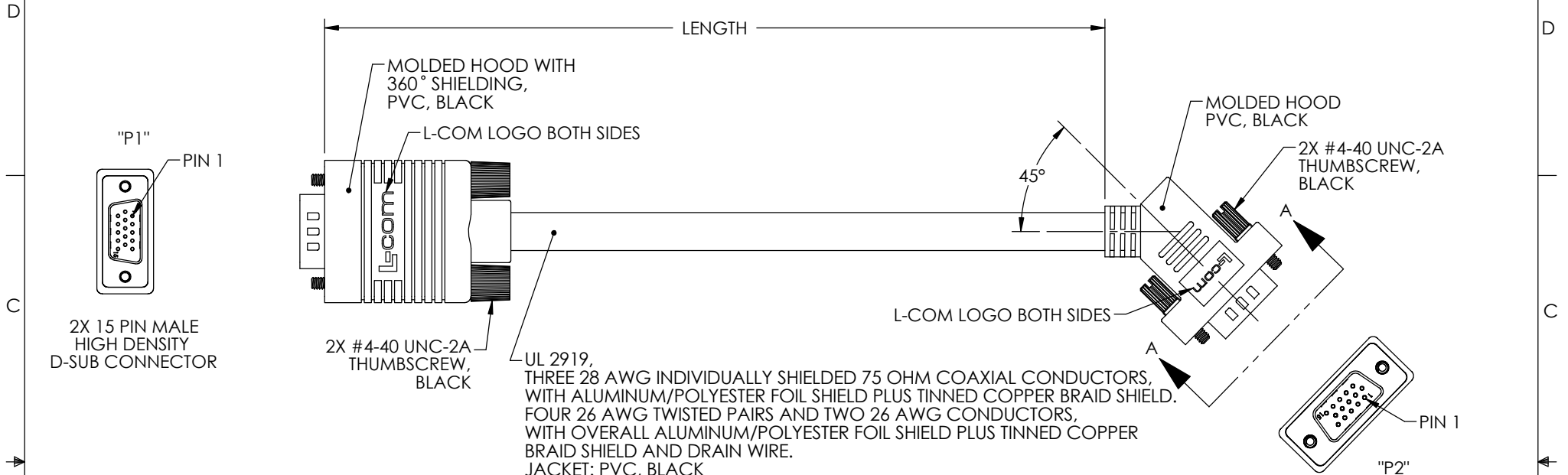


THE INFORMATION CONTAINED IN THIS DRAWING IS THE SOLE PROPERTY OF L-COM, INC. ANY REPRODUCTION IN PART OR WHOLE WITHOUT THE WRITTEN PERMISSION OF L-COM, INC. IS PROHIBITED.

RoHS Compliant ✓

REVISIONS			
REV	DESCRIPTION	DATE	APPROVED
A	RELEASED FOR PRODUCTION	4/24/01	D. PARHAM
B	ECN#2228: ADDED NOTES AND "2 CONDUCTORS" TO CABLE DESCRIPTION	10/12/05	D. PARHAM
C	ECN 3812: CN RELEASE	1/26/09	D.CASTRO
D	ECN 6638: UPDATED FORMAT, PACKAGING, AND LOGOS	1/29/13	D. DESJARDIN



PART NUMBER	LENGTH	
	FEET	METERS
CTL3VGAMM-3BR	3.0	.91
CTL3VGAMM-5BR	5.0	1.52
CTL3VGAMM-10BR	10.0	3.05

- NOTES:
- CABLE SHALL BE TESTED FOR CONTINUITY.
  - CABLE SHALL BE INDIVIDUALLY PACKAGED IN ACCORDANCE WITH L-COM SPECIFICATION PS-0031.

UNLESS OTHERWISE SPECIFIED, DIMENSIONS ARE IN INCHES [mm] OVERALL CABLE LENGTH TOLERANCE: ≤12 [305] = +1 [25] / -0 >12 [305] ≤60 [1524] = +2 [51] / -0 >60 [1524] ≤120 [3048] = +4 [102] / -0 >120 [3048] ≤300 [7620] = +6 [152] / -0 >300 [7620] = +3% / -0%  ALL OTHER DIMENSIONAL TOLERANCES: .X = ±.2 .XX = ±.02 .XXX = ±.005	APPROVALS DRAWN BY D PARHAM CHECKED BY C MCCORMICK APPROVED BY T CLARK	DATE 4/24/2001 4/24/2001 4/24/2001	45 BEECHWOOD DRIVE NORTH ANDOVER, MA 01845	
	CONFIGURATION DETAILS OF UNDIMENSIONED FEATURES MAY VARY			CATEGORY <b>AUDIO/VIDEO</b>
	PROJECTION 	COLOR VARIATIONS MAY OCCUR	SIZE <b>A</b>	FSCM NO. <b>43321</b>
	DWG. NO. <b>CTL3VGAMM-BR</b>		REV. <b>D</b>	SCALE: NONE   CAD FILE: CTL3VGAMM-BR.SLDDRW   SHEET 1 OF 1