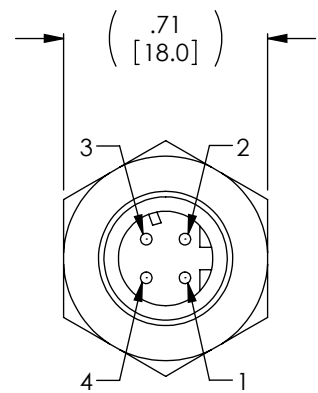
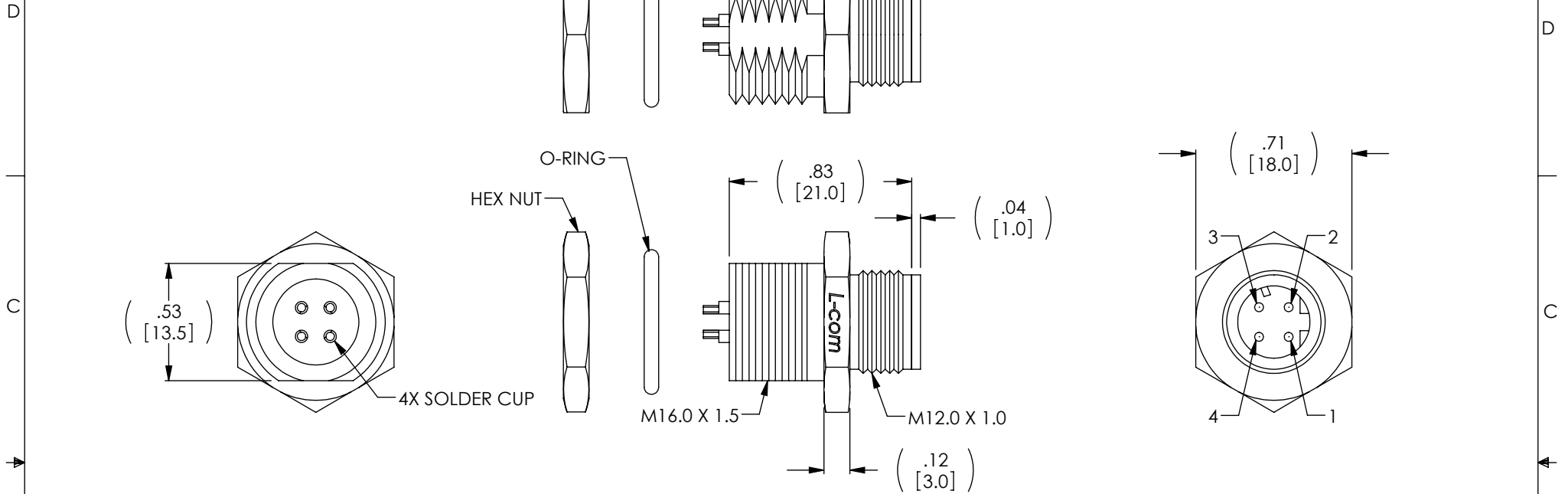
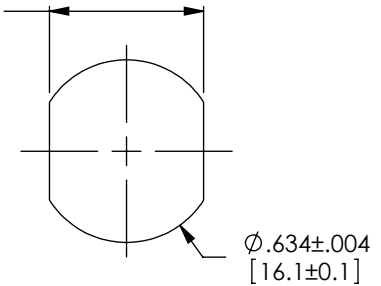


THE INFORMATION CONTAINED IN THIS DRAWING IS THE SOLE PROPERTY OF L-COM, INC. ANY REPRODUCTION IN PART OR WHOLE WITHOUT THE WRITTEN PERMISSION OF L-COM, INC. IS PROHIBITED.

REVISIONS			
REV	DESCRIPTION	DATE	APPROVED
A	INITIAL RELEASE	12/16/09	D.GRIFFIN



$.535^{+.004}$
 $-.000$
 $[13.6^{+.01}]$
 0.0



RECOMMENDED PANEL OPENING

NOTE:

1. WATERPROOF RATING: IP68
2. HOUSING: NYLON + GF, BLACK
3. MAIN HOUSING: ZINC ALLOY, NICKEL PLATED
4. NUT: ZINC ALLOY: NICKEL PLATED
5. O-RING: EPDM
6. PINS: COPPER ALLOY, GOLD PLATED
7. MAX PANEL THICKNESS: .177 [4.5]
8. RECOMMENDED NUT TORQUE: 3.50 - 5.2 lbf in [4-6 kgf.cm]
9. CONNECTORS INDIVIDUALLY PACKAGED IN A POLYBAG.

UNLESS OTHERWISE SPECIFIED, DIMENSIONS ARE IN INCHES [mm] OVERALL CABLE LENGTH TOLERANCE: ≤12 [305] = +1 [25] / -0 >12 [305] ≤60 [1524] = +2 [51] / -0 >60 [1524] ≤120 [3048] = +4 [102] / -0 >120 [3048] ≤300 [7620] = +6 [152] / -0 >300 [7620] = +3% / -0%	APPROVALS	DATE		45 BEECHWOOD DRIVE NORTH ANDOVER, MA 01845
	DRAWN BY D. PARHAM	11/24/2009		
ALL OTHER DIMENSIONAL TOLERANCES: .X = ±.2 .XX = ±.02 .XXX = ±.005	CHECKED BY J. RUST	12/08/2009	CATEGORY TELECOM / MODULAR	
	APPROVED BY P. MCNEIL	12/08/2009	PRODUCT DESCRIPTION M12 4 PIN PNL MNT MALE	
PROJECTION 	CONFIGURATION DETAILS OF UNDIMENSIONED FEATURES MAY VARY	COLOR VARIATIONS MAY OCCUR	SIZE A	FSCM NO. 43321
			DWG. NO. CON-M124PM	REV. A
			SCALE: NONE	CAD FILE: CON-M124PM.SLDDRW
				SHEET 1 OF 1