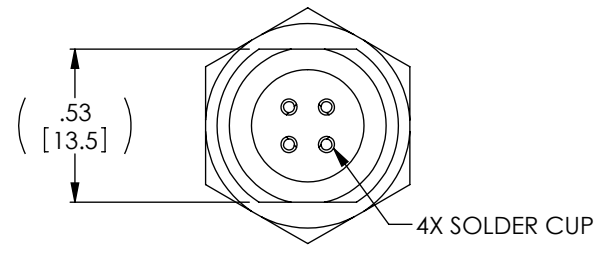
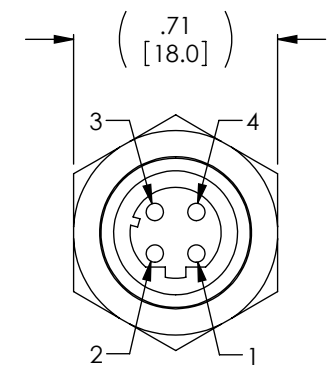
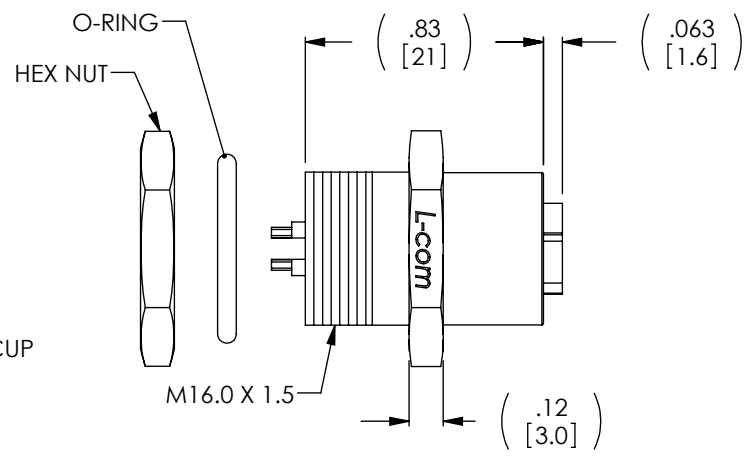
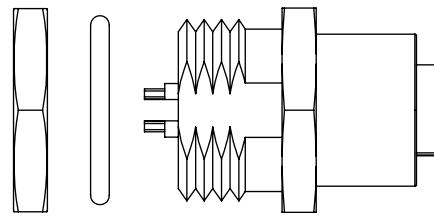
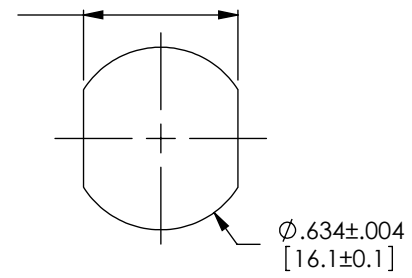


THE INFORMATION CONTAINED IN THIS DRAWING IS THE SOLE PROPERTY OF L-COM, INC. ANY REPRODUCTION IN PART OR WHOLE WITHOUT THE WRITTEN PERMISSION OF L-COM, INC. IS PROHIBITED.

| REVISIONS | | | |
|-----------|-----------------|----------|-----------|
| REV | DESCRIPTION | DATE | APPROVED |
| A | INITIAL RELEASE | 12/16/09 | D.GRIFFIN |
| | | | |
| | | | |



$.535^{+.004}$
 $-.000$
[13.6^{+0.1}
0.0]



RECOMMENDED
PANEL OPENING

- NOTE:
1. WATERPROOF RATING: IP68
 2. HOUSING: NYLON + GF, BLACK
 3. MAIN HOUSING: ZINC ALLOY, NICKEL PLATED
 4. NUT: ZINC ALLOY: NICKEL PLATED
 5. O-RING: EPDM
 6. PINS: COPPER ALLOY, GOLD PLATED
 7. MAX PANEL THICKNESS: .177 [4.5]
 8. RECOMMENDED NUT TORQUE: 3.50 - 5.2 lbf in [4-6 kgf.cm]
 9. CONNECTORS INDIVIDUALLY PACKAGED IN A POLYBAG.

| | | | | | | |
|---|---|--|--|--|--------------------------|-------------------------------|
| UNLESS OTHERWISE SPECIFIED, DIMENSIONS ARE IN INCHES [mm] OVERALL CABLE LENGTH TOLERANCE: ≤12 [305] = +1 [25] / -0 >12 [305] ≤60 [1524] = +2 [51] / -0 >60 [1524] ≤120 [3048] = +4 [102] / -0 >120 [3048] ≤300 [7620] = +6 [152] / -0 >300 [7620] = +3% / -0% ALL OTHER DIMENSIONAL TOLERANCES: .X = ±.2 .XX = ±.02 .XXX = ±.005 | APPROVALS DRAWN BY D. PARHAM CHECKED BY J. RUST APPROVED BY P. MCNEIL | DATE 11/24/2009 12/08/2009 12/08/2009 | 45 BEECHWOOD DRIVE NORTH ANDOVER, MA 01845 | | | |
| | CATEGORY TELECOM / MODULAR | | | PRODUCT DESCRIPTION M12 4 PIN PNL MNT FEMALE | | |
| PROJECTION | CONFIGURATION DETAILS OF UNDIMENSIONED FEATURES MAY VARY | COLOR VARIATIONS MAY OCCUR | SIZE A | | FSCM NO. 43321 | DWG. NO. CON-M124PF |
| SCALE: NONE | | | CAD FILE: CON-M124PF.SLDDRW | | SHEET 1 OF 1 | |