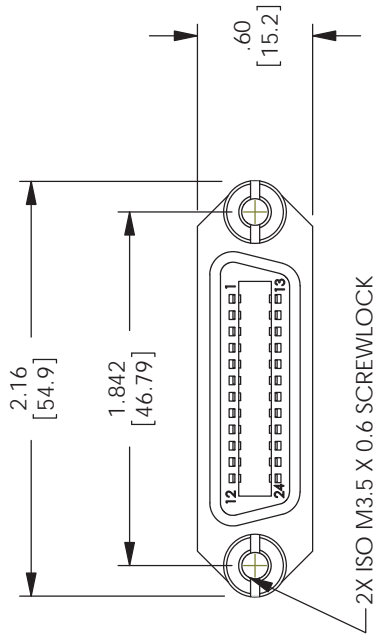
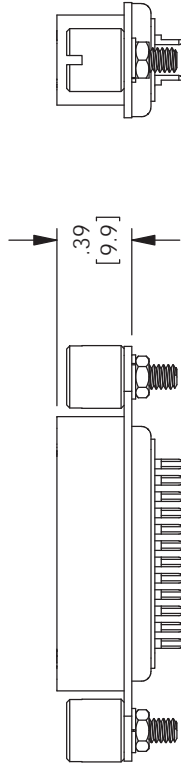


THE INFORMATION CONTAINED IN THIS DRAWING IS THE SOLE PROPERTY OF L-COM, INC. ANY REPRODUCTION IN PART OR WHOLE WITHOUT THE WRITTEN PERMISSION OF L-COM, INC. IS PROHIBITED.



2X ISO M3.5 X 0.6 SCREWLOCK

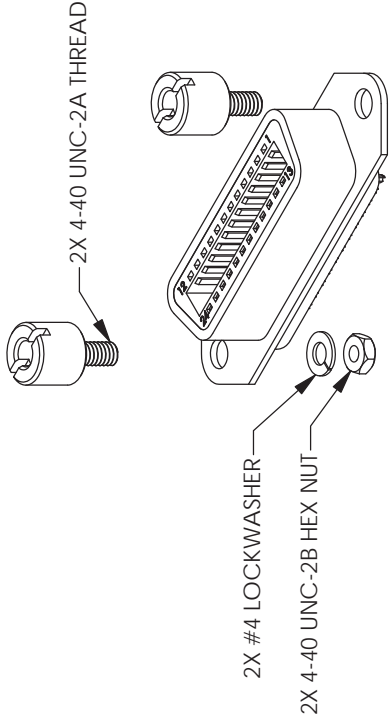


24-CONTACT FEMALE MINIATURE RIBBON CONNECTOR

**NOTES:**

1. MATERIALS:  
CONTACTS: PHOSPHOR BRONZE OR BRASS  
INSULATOR: BLUE POLYBUTYLENE TEREPHTHALATE (PBT)  
U.L. 94V-0 RATED  
SHELL: STEEL, ZINC OR TIN PLATED
2. FINISHES:  
CONTACTS: GOLD PLATED  
TERMINALS: TINNED  
SHELL: NICKEL PLATED  
SCREWLOCKS: BLACK OXIDE
3. SUPPLIED WITH HARDWARE ASSEMBLED.
4. ALL DIMENSION ARE FOR REFERENCE ONLY.
5. COMPONENT ASSEMBLY SHALL BE INDIVIDUALLY PACKAGED IN ACCORDANCE WITH L-COM SPECIFICATION PS-0031.

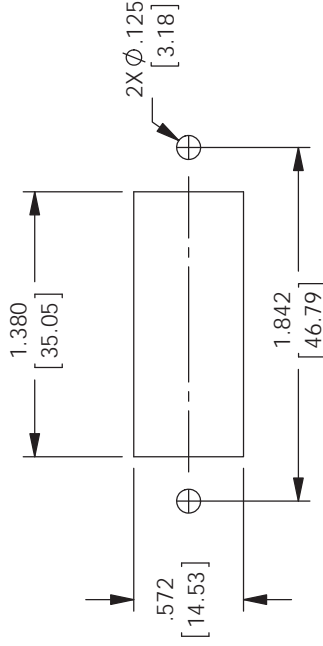
RECOMMENDED  
PANEL CUTOUT



2X 4-40 UNC-2A THREAD

2X #4 LOCKWASHER

2X 4-40 UNC-2B HEX NUT



REVISIONS		DATE	APPROVED
REV	DESCRIPTION		
A	RELEASED FOR PRODUCTION	10/26/01	T. CLARK
B	2119: MODEL UPDATE TO CLARIFY GUARD HEIGHT DIMS	6/27/05	J. KIEZUJAS
C	ECN 5689: NEW FORMAT, ADDED NOTES 4 & 5, ROHS AND METRIC	8/25/11	D. FRISIELLO
D	ECN 7775: ADDED RECOMMENDED PANEL CUTOUT	2/23/15	D. FRISIELLO

		45 BEECHWOOD DRIVE NORTH ANDOVER, MA 01845	
APPROVALS DRAWN BY: T. CLARK CHECKED BY: D. PARHAM APPROVED BY: C. MCCORMICK		DATE 10/24/01 10/25/01 10/26/01	
UNLESS OTHERWISE SPECIFIED, DIMENSIONS ARE IN INCHES [mm] OVERALL CABLE LENGTH TOLERANCE: ≤12 [305] = +.1 [25] / -0 >12 [305] ≤60 [1524] = +.2 [51] / -0 >60 [1524] ≤120 [3048] = +.4 [102] / -0 >120 [3048] ≤240 [6096] = +.8 [203] / -0 >240 [6096] = +.8% / -0% >300 [7620] = +.8% / -0%		CATEGORY IEEE-488	
ALL OTHER DIMENSIONAL TOLERANCES: .X = ±.2 [5.08] .XX = ±.02 [51] .XXX = ±.005 [127]		PRODUCT DESCRIPTION CONNECTOR, GPIB SLDR, FEMALE	
CONFIGURATION DETAILS OF UNDIMENSIONED FEATURES MAY VARY		SIZE A 43321	
COLOR VARIATIONS MAY OCCUR		FSCM NO. CIB24S	
PROJECTION		SCALE: NONE	
CAD FILE: CIB24S.SLDRW		SHEET 1 OF 1	