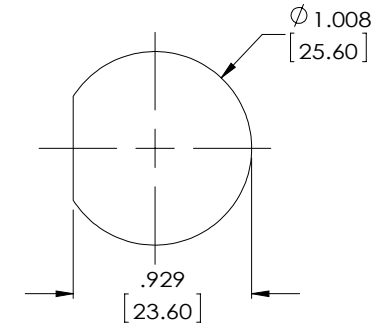
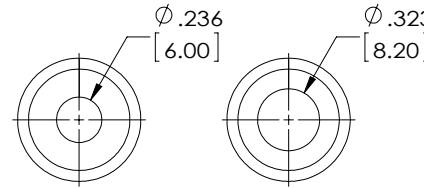
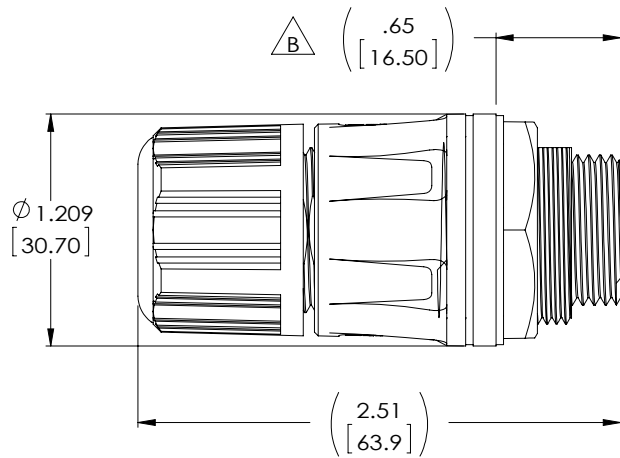
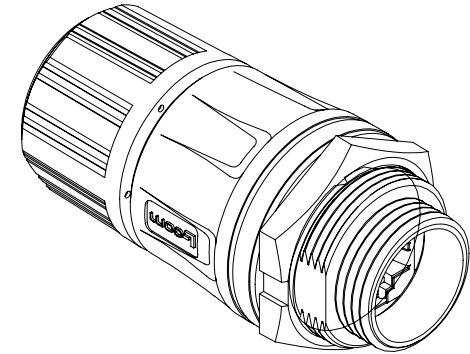
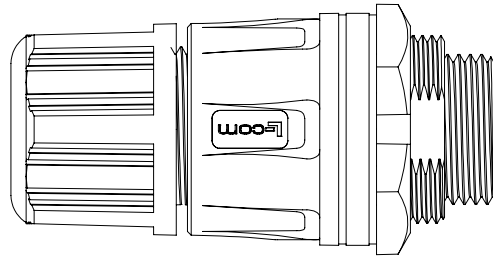


THE INFORMATION CONTAINED IN THIS DRAWING IS THE SOLE PROPERTY OF L-COM, INC. ANY REPRODUCTION IN PART OR WHOLE WITHOUT THE WRITTEN PERMISSION OF L-COM, INC. IS PROHIBITED.

PART NUMBER	RATING
CG-C5E-FP	CAT 5E
CG-C6-FP	CAT 6
CG-C6A-FP	CAT 6A

REVISIONS			
REV	DESCRIPTION	DATE	APPROVED
A	INITIAL RELEASE	11/5/15	D.GRIFFIN
B	ECN8678:NOTES ADD L-COM TEST SPEC. LTP-011 .ADD .65 INCH SIZE	04/14/17	D.CUI



RECOMMENDED
PANEL CUTOUT
MAX RECOMMENDED
PANEL THICKNESS: .175 [4.5]

(1X) SMALL ID GROMMET (COMES INSTALLED IN ASSEMBLY)
(1X) LARGE ID GROMMET (INCLUDED LOOSE IN PACKAGING)

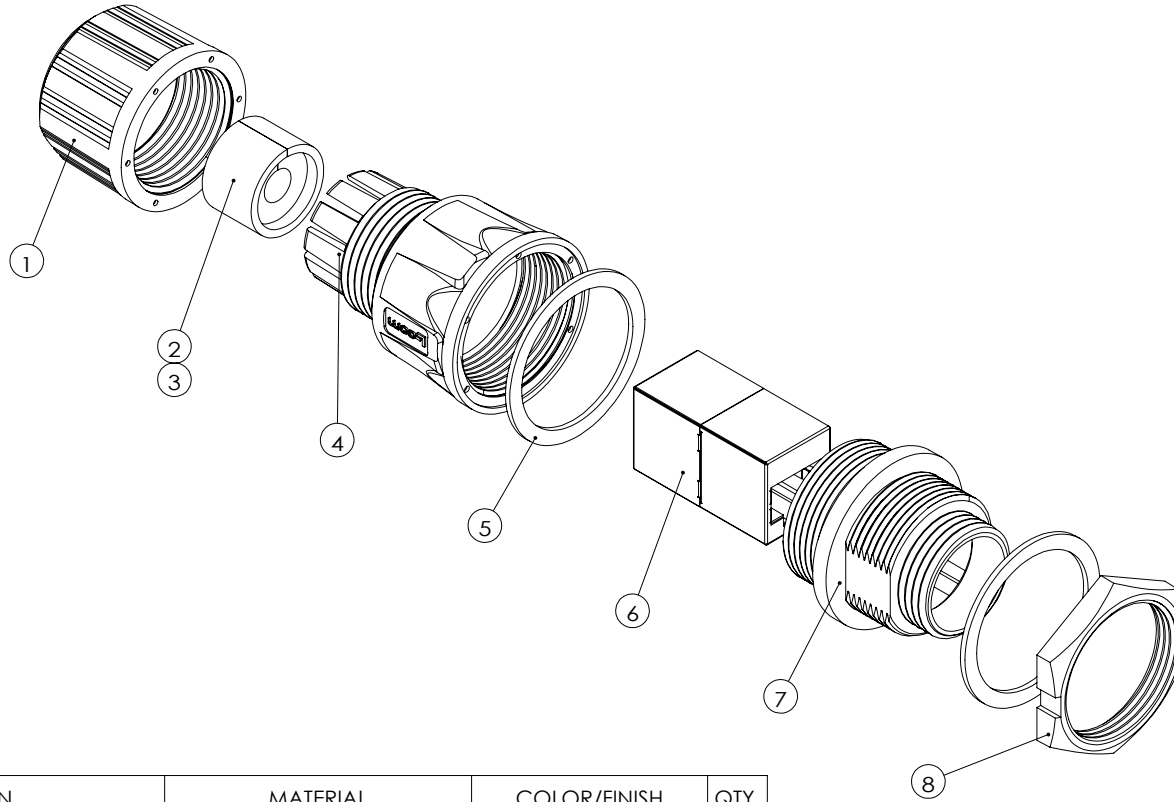
NOTES:

- INGRESS PROTECTION RATING IS IP68 WHEN FULLY ASSEMBLED TO CABLE.
- TEST SPECIMEN TESTED PER L-COM SPECIFICATION LTP-009. IMMERSSED IN 1 METER OF WATER FOR 24 HOURS.
- COUPLER SHALL BE TESTED IN ACCORDANCE WITH L-COM SPEC. LTP-011
- OPERATING TEMPERATURE: -40°C TO +80°C
- ASSEMBLY SHALL BE INDIVIDUALLY PACKAGED FULLY ASSEMBLED WITH SMALL ID GROMMET INSTALLED IN ACCORDANCE WITH L-COM SPECIFICATION PS-0031.

REGULATORY COMPLIANCE:
CE2011/65/EU (RoHS DIRECTIVE)

UNLESS OTHERWISE SPECIFIED, DIMENSIONS ARE IN INCHES [mm] OVERALL CABLE LENGTH TOLERANCE: ≤12 [305] = +1 [25] / -0 >12 [305] ≤60 [1524] = +2 [51] / -0 >60 [1524] ≤120 [3048] = +4 [102] / -0 >120 [3048] ≤300 [7620] = +6 [152] / -0 >300 [7620] = +3% / -0%	APPROVALS	DATE		45 BEECHWOOD DRIVE NORTH ANDOVER, MA 01845		
	DRAWN BY D. DESJARDIN	6/15/15				
ALL OTHER DIMENSIONAL TOLERANCES: .X = ± .2 [5.08] .XX = ± .02 [1.51] .XXX = ± .005 [1.13]	CHECKED BY D. PARHAM	11/5/15	CATEGORY TELECOM/MODULAR			
	APPROVED BY D. GALLAGHER	11/5/15	PRODUCT DESCRIPTION CPLR Cxx SHLD RJ45 IP68 PNL MT			
PROJECTION 	CONFIGURATION DETAILS OF UNDIMENSIONED FEATURES MAY VARY	COLOR VARIATIONS MAY OCCUR	SIZE A	FSCM NO. 43321	DWG. NO. CG-Cxx-FP	REV. B
SCALE: NONE			CAD FILE: CG-Cxx-FP.SLDDRW		SHEET 1 OF 2	

THE INFORMATION CONTAINED IN THIS DRAWING IS THE SOLE PROPERTY OF L-COM, INC. ANY REPRODUCTION IN PART OR WHOLE WITHOUT THE WRITTEN PERMISSION OF L-COM, INC. IS PROHIBITED.



#	DESCRIPTION	MATERIAL	COLOR/FINISH	QTY.
1	CG-CXX CABLE GLAND	PA66 (FR370), UL94V-0	BLACK	1
2	CG-CXX SMALL GROMMET	SILICONE	BLACK	1
3	CG-CXX LARGE GROMMET	SILICONE	BLACK	1
4	CG-CXX HOUSING COLLET	PA66 (FR370), UL94V-0	BLACK	1
5	CG-CXX GASKET	SILICONE	BLACK	2
6	CATEGORY XX RJ45 8P8C SHLD COUPLER	PLASTIC: PC, UL94V-0 SHIELD: BRASS	PLASTIC: BLACK SHIELD: NICKEL PLATE	1
7	CG-CXX HOUSING	PA66 (FR370), UL94V-0	BLACK	1
8	CG-CXX HEX NUT	PA66 (FR370), UL94V-0	BLACK	1

L-com Global Connectivity		45 BEECHWOOD DRIVE NORTH ANDOVER, MA 01845	
CATEGORY			
TELECOM/MODULAR			
PRODUCT DESCRIPTION			
CPLR Cxx SHLD RJ45 IP68 PNL MT			
SIZE	FSCM NO.	DWG. NO.	REV.
A	43321	CG-Cxx-FP	B
SCALE: NONE		CAD FILE: CG-Cxx-FP.SLDDRW	
			SHEET 2 OF 2