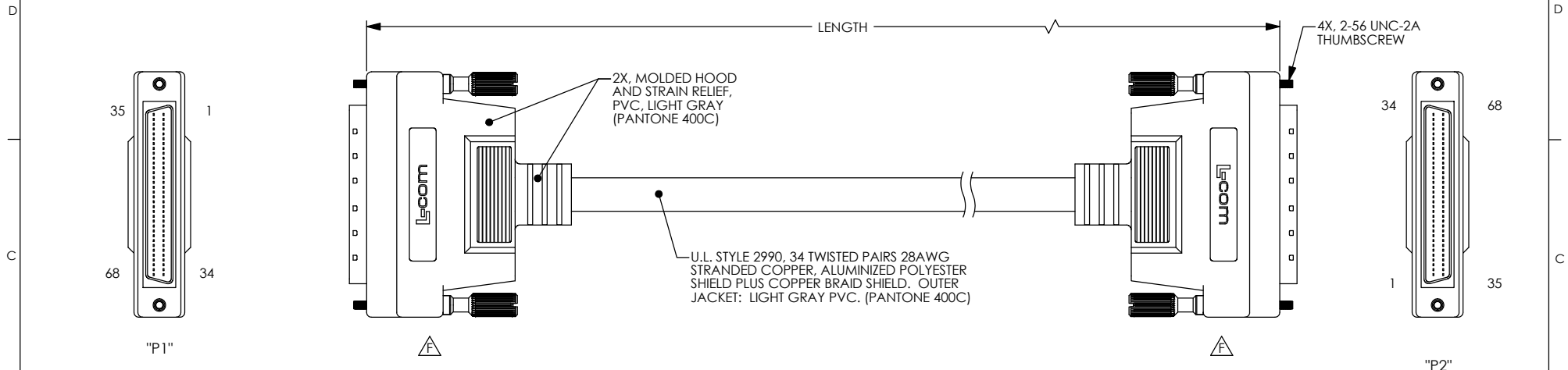


THE INFORMATION CONTAINED IN THIS DRAWING IS THE SOLE PROPERTY OF L-COM, INC. ANY REPRODUCTIONS IN PART OR WHOLE WITHOUT THE WRITTEN PERMISSION OF L-COM, INC. IS PROHIBITED.

REVISIONS			
REV	DESCRIPTION	DATE	CHANGED BY
E	ECN 4690: CHANGE UL STYLE FROM 20276 TO 2990	4/19/10	D.FRISIELLO
F	ECN 6620: UPDATED LOGOS AND DRAWING FORMAT	1/15/13	D. DESJARDIN



2X, 68 PIN MALE HIGH DENSITY CONNECTOR (.050" (1.27MM PIN SPACING))

WIRE MAP											
"P1"	TWISTED PAIR	"P2"	"P1"	TWISTED PAIR	"P2"	"P1"	TWISTED PAIR	"P2"	"P1"	TWISTED PAIR	"P2"
1		1	10		10	19		19	28		28
35	1	35	44	10	44	53	19	53	62	28	62
2		2	11		11	20		20	29		29
36	2	36	45	11	45	54	20	54	63	29	63
3		3	12		12	21		21	30		30
37	3	37	46	12	46	55	21	55	64	30	64
4		4	13		13	22		22	31		31
38	4	38	47	13	47	56	22	56	65	31	65
5		5	14		14	23		23	32		32
39	5	39	48	14	48	57	23	57	66	32	66
6		6	15		15	24		24	33		33
40	6	40	49	15	49	58	24	58	67	33	67
7		7	16		16	25		25	34		34
41	7	41	50	16	50	59	25	59	68	34	68
8		8	17		17	26		26	SHELL		SHELL
42	8	42	51	17	51	60	26	60	DRAIN		DRAIN
9		9	18		18	27		27			
43	9	43	52	18	52	61	27	61			

MODEL NUMBER	LENGTH	
	(METERS)	(FEET)
CA900MM-05M	0.50	1.64
CA900MM-1M	1.00	3.28
CA900MM-2M	2.00	6.56

**NOTES:**  
 MOLDED HOODS HAVE INTERNAL 360° FOIL SHIELDS SOLDERED TO CONNECTOR FRAMES AND CABLE DRAIN WIRE.  
 CABLE ASSEMBLY MEETS REQUIREMENTS FOR SCSI-3 SYSTEMS.  
 CABLE ASSEMBLY SHALL BE TESTED FOR CONTINUITY.  
 CABLE ASSEMBLY SHALL BE INDIVIDUALLY PACKAGED IN ACCORDANCE WITH L-COM SPECIFICATION PS-0031.

**RoHS Compliant** ✓

UNLESS OTHERWISE SPECIFIED, DIMENSIONS ARE IN INCHES (mm)	APPROVALS	DATE	 45 BEECHWOOD DRIVE NORTH ANDOVER, MA 01845
OVERALL CABLE LENGTH TOLERANCE: $\pm 1/2 (305) \pm 1 (25) / -0$ $\pm 1/2 (305) \pm 1 (25) \pm 1 (25) / -0$ $\pm 1/2 (305) \pm 1 (25) \pm 1 (25) \pm 1 (25) / -0$ $\pm 1/2 (305) \pm 1 (25) \pm 1 (25) \pm 1 (25) \pm 1 (25) / -0$ $\pm 1/2 (305) \pm 1 (25) \pm 1 (25) \pm 1 (25) \pm 1 (25) \pm 1 (25) / -0$ $\pm 1/2 (305) \pm 1 (25) \pm 1 (25) \pm 1 (25) \pm 1 (25) \pm 1 (25) \pm 1 (25) / -0$	DRAWN BY	9/20/01	
ALL OTHER DIMENSIONAL TOLERANCES: $X = \pm 2$ $XX = \pm 1/2$ $XXX = \pm .005$	CHECKED BY	9/24/01	
PROJECTION	APPROVED BY	9/25/01	
	CONFIGURATION DETAILS OF UNDIMENSIONED FEATURES MAY VARY		CATEGORY
	COLOR VARIATIONS MAY OCCUR		HETEROGENEOUS
	SIZE	P/SCM NO.	PRODUCT DESCRIPTION
	B	43321	CBL, SCSI-3 HPDB68M/M
	SCALE: 1:1	DWG. NO.	REV.
	CAD FILE: CA900MM.SLDRAW	CA900MM	F
			SHEET 1 OF 1