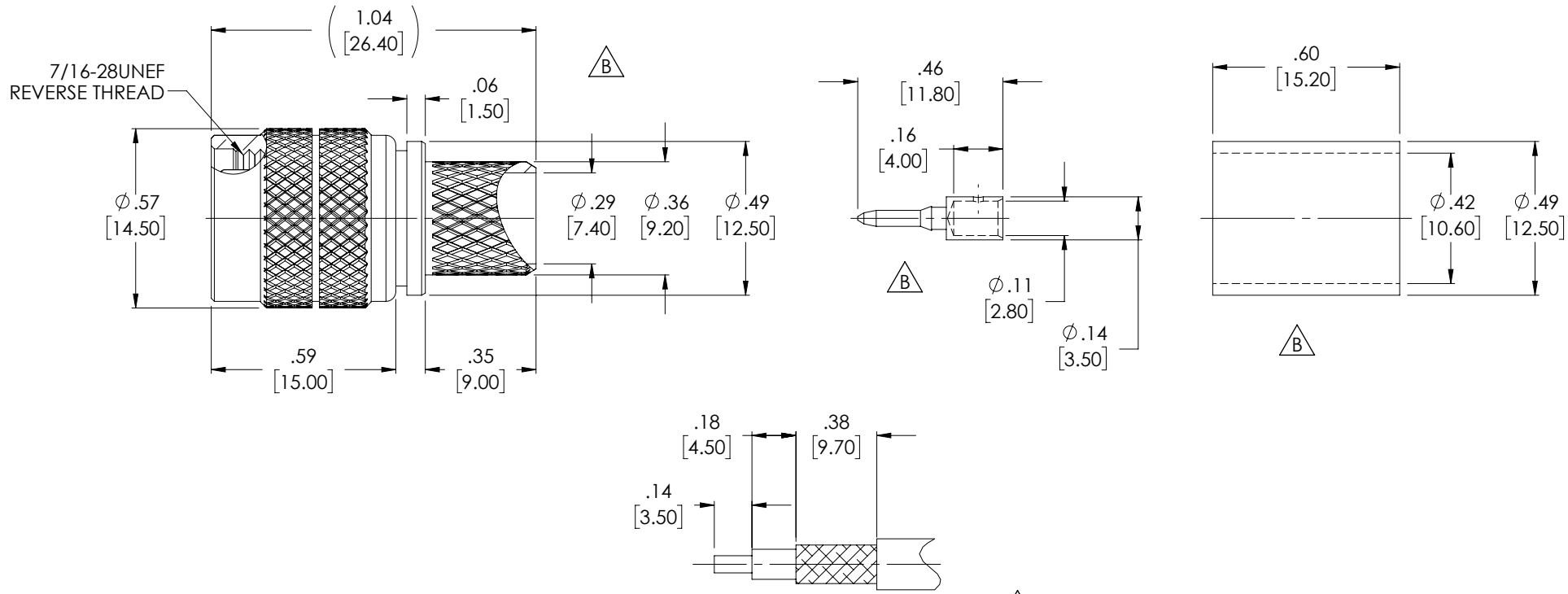


THE INFORMATION CONTAINED IN THIS DRAWING IS THE SOLE PROPERTY OF L-COM, INC. ANY REPRODUCTION IN PART OR WHOLE WITHOUT THE WRITTEN PERMISSION OF L-COM, INC. IS PROHIBITED.

REVISIONS			
REV	DESCRIPTION	DATE	APPROVED
B	ECN 9785: UPDATE DIM'S AND NOTES, UPDATE DWG FORMAT	04/11/2019	SELLIS

NO	DESCRIPTION	QTY	MATERIAL	FINISH
7	FERRULE	1	BRASS	NICKEL
6	SHELL	1	BRASS	NICKEL
5	GASKET	1	RUBBER	-
4	RETAINING RING	1	BRASS	NICKEL
3	DIELECTRIC	1	PTFE	-
2	PIN	1	BRASS	GOLD
1	BODY	1	BRASS	NICKEL



RECOMMENDED CABLE STRIPPING DIM'S



NOTES:
 IMPEDANCE: 50 OHM
 APPLICATIONS: RG8, 400 SERIES

COMPONENT SHALL BE INDIVIDUALLY PACKAGED IN ACCORDANCE WITH L-COM SPECIFICATION PS-0031.

UNLESS OTHERWISE SPECIFIED, DIMENSIONS ARE IN INCHES [mm] DIMENSIONAL TOLERANCES: .X = ±.1 [2.54] .XX = ±.01 [.25] .XXX = ±.005 [.13]	APPROVALS	DATE	50 HIGH STREET NORTH ANDOVER, MA 01845	
	DRAWN BY SLI	04/11/2019		
	CHECKED BY BZHANG	04/11/2019	CATEGORY COAXIAL	
	APPROVED BY SPAN	04/11/2019	PRODUCT DESCRIPTION TNC REVERSE - THREAD CRIMP PLUG	
ANGULAR TOLERANCES: ALL = ± 1°	CONFIGURATION DETAILS OF UNDIMENSIONED FEATURES MAY VARY		SIZE A	FSCM NO. 43321
PROJECTION 	COLOR VARIATIONS MAY OCCUR		DWG. NO. ATML-1400	REV. B
			SCALE: NONE	CAD FILE: ATML-1400.SLDDRW
			SHEET 1 OF 1	