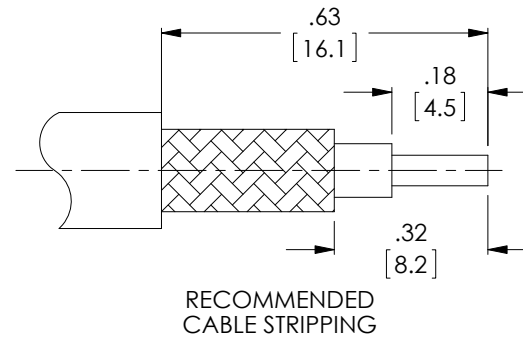
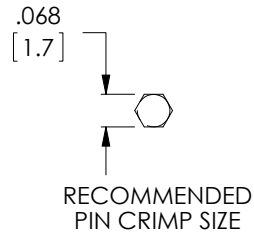
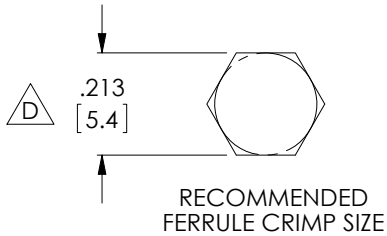
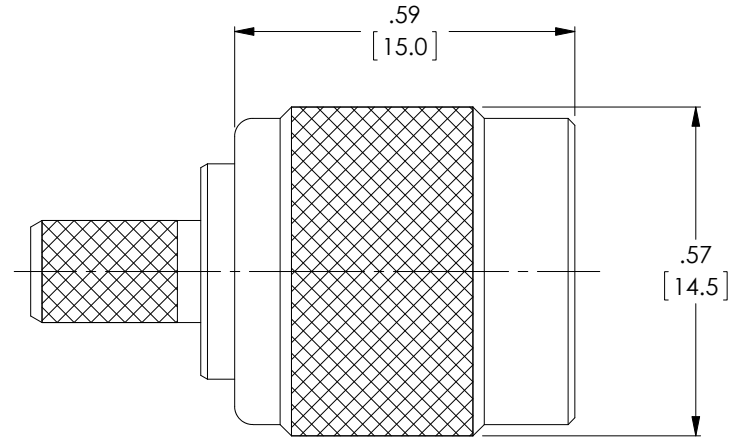
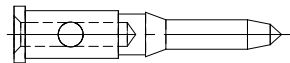
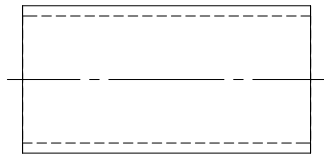


THE INFORMATION CONTAINED IN THIS DRAWING IS THE SOLE PROPERTY OF L-COM, INC. ANY REPRODUCTION IN PART OR WHOLE WITHOUT THE WRITTEN PERMISSION OF L-COM, INC. IS PROHIBITED.

RoHS Compliant ✓

REVISIONS			
REV	DESCRIPTION	DATE	APPROVED
A	INITIAL RELEASE	6/24/03	A.VAJANYI
B	ECN 4484: REDRAWN, UPDATE AND STRIPPING DIMS	1/12/10	B.PUCHASKI
C	ECN 6347: REVISED FERRULE CRIMP SIZE AND STRIPPING DIMS	8/16/12	D. FRISIELLO
D	ECN 6473: CHANGED CRIMP SIZE FROM .263" TO .213"	10/18/12	D. DESJARDIN

DESCRIPTION	MATERIAL	FINISH
CENTER CONTACTS	BRASS	GOLD
OUTER CONTACT	BRASS	NICKEL
SHELL	BRASS	NICKEL
CRIMP FERRULE	BRASS	NICKEL
GASKET	RUBBER	---
INSULATOR	TEFLON	---
RETAINING RING	BRASS	NICKEL



NOTES:

ELECTRICAL:
 IMPEDANCE: 50 OHMS
 WITHSTAND VOLTAGE: 1500V
 FREQUENCY RANGE: 0~6 GHz
 VSWR: <1.50 @ 0~6 GHz
 DURABILITY: > 500 CYCLE
 CABLE RETENTION: > 40 POUNDS

MISCELLANEOUS:
 COMPONENTS SHALL BE INDIVIDUALLY PACKAGED IN ACCORDANCE WITH L-COM SPECIFICATIONS PS-0031.

ALL DIMENSIONS ARE FOR REFERENCE ONLY.

UNLESS OTHERWISE SPECIFIED, DIMENSIONS ARE IN INCHES [mm] OVERALL CABLE LENGTH TOLERANCE: ≤12 [305] = +1 [25] / -0 >12 [305] ≤60 [1524] = +2 [51] / -0 >60 [1524] ≤120 [3048] = +4 [102] / -0 >120 [3048] ≤300 [7620] = +6 [152] / -0 >300 [7620] = +3% / -0%	APPROVALS	DATE	45 BEECHWOOD DRIVE NORTH ANDOVER, MA 01845
	DRAWN BY B.PUCHASKI	1/12/10	
ALL OTHER DIMENSIONAL TOLERANCES: .X = ±.2 .XX = ±.02 .XXX = ±.005	CHECKED BY M.AUDAS	1/12/10	CATEGORY COAXIAL
	APPROVED BY M.AUDAS	1/12/10	PRODUCT DESCRIPTION CON,TNC MALE CRIMP LMR195
PROJECTION 	CONFIGURATION DETAILS OF UNDIMENSIONED FEATURES MAY VARY	COLOR VARIATIONS MAY OCCUR	SIZE A FSCM NO. 43321 DWG. NO. ATM-1700 REV. D SCALE: NONE CAD FILE: ATM-1700.SLDDRW SHEET 1 OF 1