

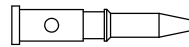
THE INFORMATION CONTAINED IN THIS DRAWING IS THE SOLE PROPERTY OF L-COM, INC. ANY REPRODUCTION IN PART OR WHOLE WITHOUT THE WRITTEN PERMISSION OF L-COM, INC. IS PROHIBITED.

REVISIONS			
REV	DESCRIPTION	DATE	APPROVED
A	INITIAL RELEASE	4/21/10	D.GRIFFIN
B	ECN 4752: REVISED FREQUENCY RANGE TO 6 GHz	5/19/10	D.FRISIELLO

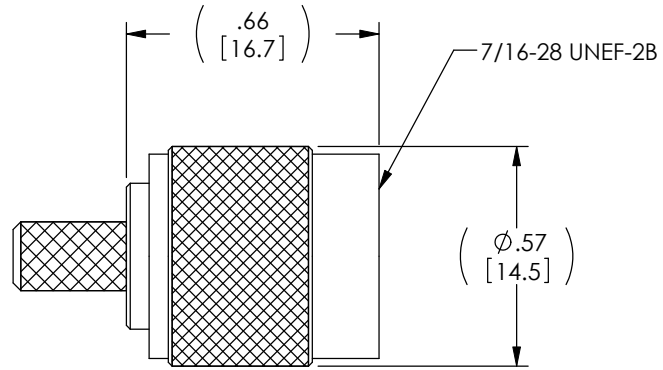
DESCRIPTION	MATERIAL	FINISH
BODY	BRASS	NICKEL
CENTER PIN	BRASS	GOLD
INSULATOR	TFE	-
FERRULE	BRASS	NICKEL



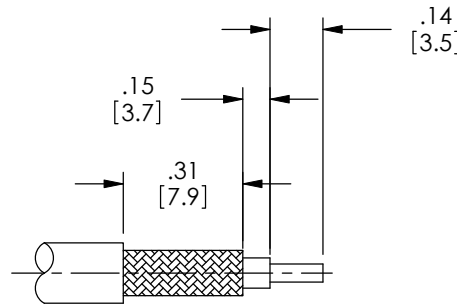
FERRULE



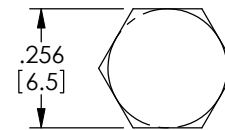
CENTER PIN



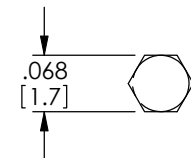
BODY



RECOMMENDED CABLE STRIPPING



RECOMMENDED FERRULE CRIMP SIZE



RECOMMENDED PIN CRIMP SIZE

**NOTES:**

**ELECTRICAL:**

IMPEDANCE: 50 OHMS  
 FREQUENCY RANGE: DC ~ 6 GHz  
 VOLTAGE RATING: 500 VOLTS PEAK  
 WITHSTAND VOLTAGE: 1500V RMS.  
 INSERTION LOSS: .20 dB MAX.  
 CABLE RETENTION: 50 lbs. PULL

**MISCELLANEOUS:**

COMPONENT SHALL BE PACKAGED 10 PIECES PER BAG IN ACCORDANCE WITH L-COM SPEC. PS-0031

ALL DIMENSIONS ARE FOR REFERENCE ONLY.

RoHS Compliant ✓

UNLESS OTHERWISE SPECIFIED, DIMENSIONS ARE IN INCHES [mm] OVERALL CABLE LENGTH TOLERANCE: ≤12 [305] = +1 [25] / -0 >12 [305] ≤60 [1524] = +2 [51] / -0 >60 [1524] ≤120 [3048] = +4 [102] / -0 >120 [3048] ≤300 [7620] = +6 [152] / -0 >300 [7620] = +3% / -0%  ALL OTHER DIMENSIONAL TOLERANCES: .X = ±.2 .XX = ±.02 .XXX = ±.005	APPROVALS D. CASTRO CHECKED BY K. BURGNER APPROVED BY K. BURGNER	DATE 4/20/10 4/21/10 4/21/10	45 BEECHWOOD DRIVE NORTH ANDOVER, MA 01845
	CONFIGURATION DETAILS OF UNDIMENSIONED FEATURES MAY VARY		
PROJECTION 	COLOR VARIATIONS MAY OCCUR	SIZE <b>A</b>	FSCM NO. <b>43321</b>
DWG. NO. ATM-1506		REV. <b>B</b>	PRODUCT DESCRIPTION CONNECTOR, TNC MALE CRIMP 240 SERIES
SCALE: NONE		CAD FILE: ATM-1506.SLDDRW	SHEET 1 OF 1