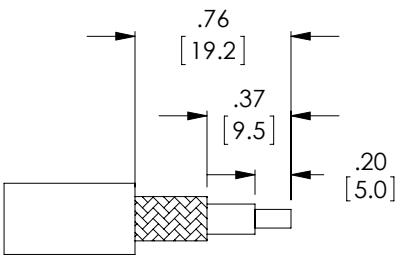


THE INFORMATION CONTAINED IN THIS DRAWING IS THE SOLE PROPERTY OF L-COM, INC. ANY REPRODUCTION IN PART OR WHOLE WITHOUT THE WRITTEN PERMISSION OF L-COM, INC. IS PROHIBITED.

REVISIONS			
REV	DESCRIPTION	DATE	APPROVED
A	INITIAL RELEASE	8/30/12	D.GRIFFIN

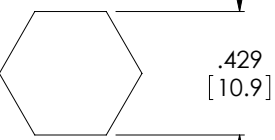
DESCRIPTION	MATERIAL	FINISH
BODY	BRASS	NICKEL
CENTER PIN	BRASS	GOLD
OUTER CONTACT	BRASS	NICKEL
FERRULE	BRASS	NICKEL
GASKET	RUBBER	--
DIELECTRIC	DELIN	--
RETAINING RING	BRASS	NICKEL



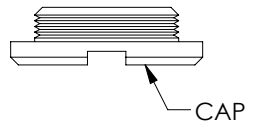
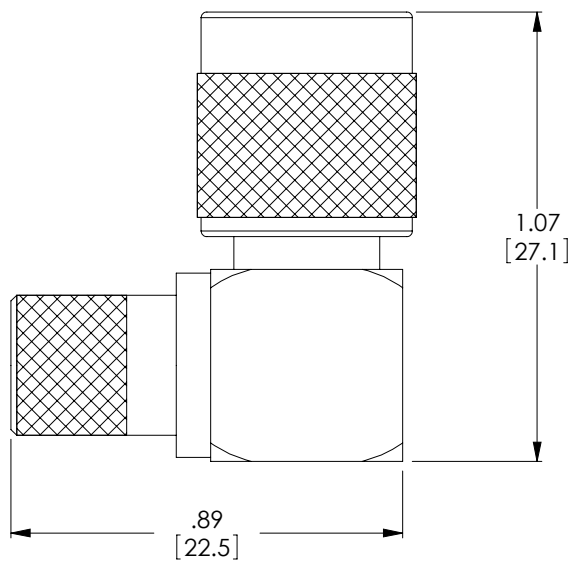
RECOMMENDED CABLE STRIPPING



FERRULE



RECOMMENDED FERRULE CRIMP



CAP

NOTES:
CENTER PIN: SOLDER ONLY
ELECTRICAL:
 IMPEDANCE: 50 OHMS
 WITHSTAND VOLTAGE: 1500V
 FREQUENCY RANGE: 0~6 GHz
 VSWR: <1.50 @ 0~6 GHz
 DURABILITY: > 500 CYCLE
 CABLE RETENTION: > 40 POUNDS

PACKAGING:
 COMPONENT SHALL BE BULK PACKAGED IN QUANTITY OF 10 IN ACCORDANCE WITH L-COM SPECIFICATION PS-0031.

MISCELLANEOUS:
 APPLICATION: LMR400
 ALL DIMENSIONS ARE FOR REFERENCE ONLY.

UNLESS OTHERWISE SPECIFIED, DIMENSIONS ARE IN INCHES [mm] OVERALL CABLE LENGTH TOLERANCE: ≤12 [305] = +1 [25] / -0 >12 [305] ≤60 [1524] = +2 [51] / -0 >60 [1524] ≤120 [3048] = +4 [102] / -0 >120 [3048] ≤300 [7620] = +6 [152] / -0 >300 [7620] = +3% / -0%	APPROVALS	DATE		45 BEECHWOOD DRIVE NORTH ANDOVER, MA 01845		
	DRAWN BY D. DESJARDIN	8/29/12				
ALL OTHER DIMENSIONAL TOLERANCES: .X = ± .2 .XX = ± .02 .XXX = ± .005	CHECKED BY K. BURGNER	8/30/12	CATEGORY COAXIAL			
	APPROVED BY K. BURGNER	8/30/12	PRODUCT DESCRIPTION CON,TNC MALE R/ANGLE CRIMP 400 SERIES CABLE			
PROJECTION 	CONFIGURATION DETAILS OF UNDIMENSIONED FEATURES MAY VARY	COLOR VARIATIONS MAY OCCUR	SIZE A	FSCM NO. 43321	DWG. NO. ATM-1416	REV. A
SCALE: NONE			CAD FILE: ATM-1416.SLDDRW		SHEET 1 OF 1	