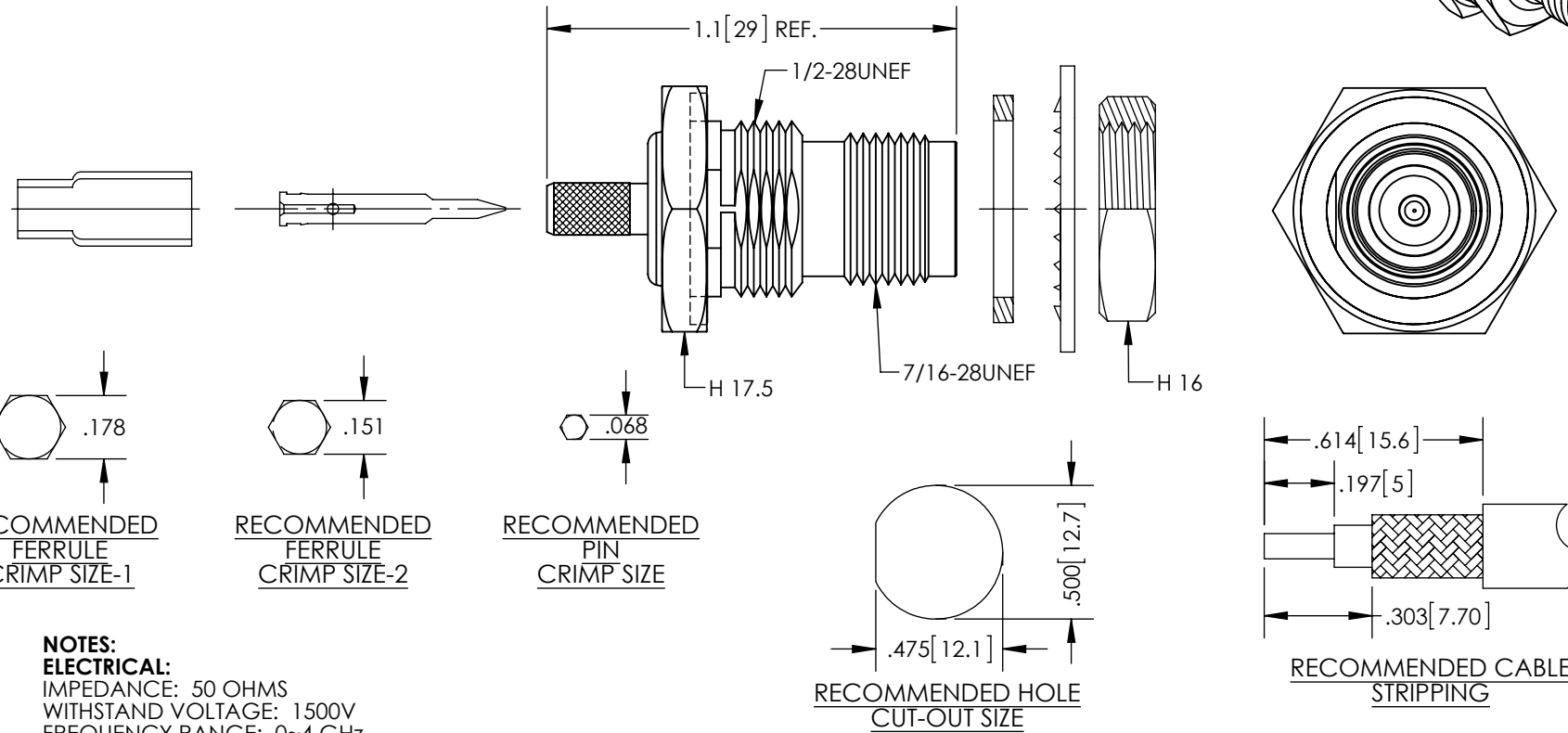
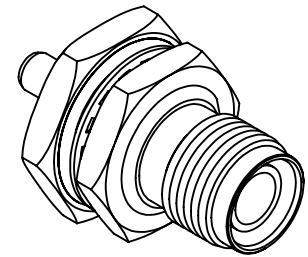


THE INFORMATION CONTAINED IN THIS DRAWING IS THE SOLE PROPERTY OF L-COM, INC. ANY REPRODUCTION IN PART OR WHOLE WITHOUT THE WRITTEN PERMISSION OF L-COM, INC. IS PROHIBITED.

REVISIONS			
REV	DESCRIPTION	DATE	APPROVED
A	INITIAL RELEASE	7/18/13	D.GRIFFIN

DESCRIPTION	MATERIAL	FINISH
CENTER PIN	BRASS	GOLD
BODY	BRASS	NICKEL
WASHER	BRASS	NICKEL
NUT	BRASS	NICKEL
GASKET	RUBBER	---
CRIMP FERRULE	BRASS	NICKEL
INSULATOR	TEFLON	---



NOTES:
ELECTRICAL:
 IMPEDANCE: 50 OHMS
 WITHSTAND VOLTAGE: 1500V
 FREQUENCY RANGE: 0~4 GHz
 VSWR: <1.50 @ 0~4 GHz
 DURABILITY: > 500 CYCLE
 CABLE RETENTION: > 30 POUNDS
MISCELLANEOUS:
 COMPONENTS SHALL BE INDIVIDUALLY PACKAGED IN ACCORDANCE WITH L-COM SPECIFICATIONS PS-0031.

ALL DIMENSIONS ARE FOR REFERENCE ONLY.
REGULATORY COMPLIANCE:
 RoHS, CE

UNLESS OTHERWISE SPECIFIED, DIMENSIONS ARE IN INCHES [mm] DIMENSIONAL TOLERANCES: .X = ±.1 .XX = ±.01 .XXX = ±.005 ANGULAR TOLERANCES: ALL = ± 1° PROJECTION 	APPROVALS	DATE	 45 BEECHWOOD DRIVE NORTH ANDOVER, MA 01845	
	DRAWN BY B.PUCHASKI	07/17/13		CATEGORY COAXIAL
	CHECKED BY K.BURGNER	07/17/13		PRODUCT DESCRIPTION RP-TNC JACK BULKHEAD CRIMP CONNECTOR FOR LMR100/RG174/316
	APPROVED BY P.PESA	07/17/13	SIZE A FSCM NO. 43321 DWG. NO. ARTJ-3100 REV. A SCALE: NONE CAD FILE: ARTJ-3100.SLDDRW SHEET 1 OF 1	