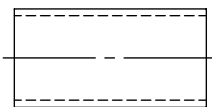


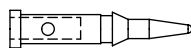
THE INFORMATION CONTAINED IN THIS DRAWING IS THE SOLE PROPERTY OF L-COM, INC. ANY REPRODUCTION IN PART OR WHOLE WITHOUT THE WRITTEN PERMISSION OF L-COM, INC. IS PROHIBITED.

REVISIONS			
REV	DESCRIPTION	DATE	APPROVED
B	ECN 5012: REMODELED, REDRAWN AND NEW FORMAT	9/3/10	D.FRISIELLO
C	ECN 5802: CHANGED FREQUENCY RANGE TO 0 ~ 4GHz	10/31/11	D.FRISIELLO
D	ECN 8213: UPDATE KNURL STYLE FROM STRAIGHT TO DIAMOND	12/16/15	S.LI

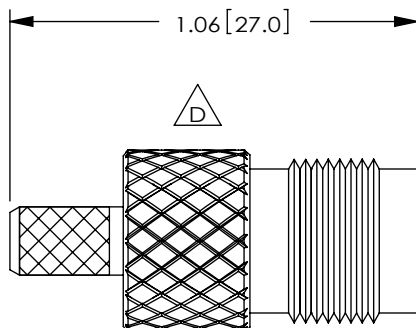
DESCRIPTION	MATERIAL	FINISH
CONNECTOR BODY	BRASS	NICKEL PLATE
CONTACT	BRASS	GOLD PLATE
DIELECTRIC	TEFLON	-
FERRULE	BRASS	NICKEL PLATE



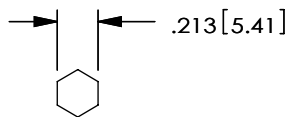
FERRULE



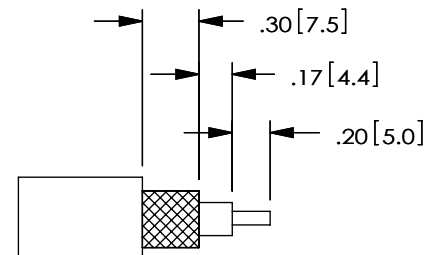
CONTACT
(SOLDER OR
CRIMP .068" [1.72])



CONNECTOR BODY



RECOMMENDED
FERRULE CRIMP SIZE



RECOMMENDED
CABLE STRIPPING

NOTES:

ELECTRICAL:

IMPEDANCE: 50 OHMS
 FREQUENCY RANGE: 0 ~ 4 GHz
 VOLTAGE RATING: 500 VOLTS PEAK.
 DIELECTRIC WITHSTANDING VOLTAGE: 1500 VOLTS RMS.
 CABLE RETENTION: 30 LBS PULL

APPLICATION: 195-SERIES, RG58

ALL DIMENSIONS ARE FOR REFERENCE ONLY.

COMPONENT SHALL BE INDIVIDUALLY PACKAGED IN ACCORDANCE WITH L-COM SPECIFICATION PS-0031.

REGULATORY COMPLIANCE:

CE2011/65/EU (RoHS DIRECTIVE)

UNLESS OTHERWISE SPECIFIED, DIMENSIONS ARE IN INCHES [mm] DIMENSIONAL TOLERANCES: .X = ±.1 [2.54] .XX = ±.01 [.25] .XXX = ±.005 [.13] ANGULAR TOLERANCES: ALL = ± 1°	APPROVALS	DATE		45 BEECHWOOD DRIVE NORTH ANDOVER, MA 01845	
	DRAWN BY D.FRISIELLO	9/3/10			
	CHECKED BY K.BURGNER	9/3/10	CATEGORY	COAXIAL	
	APPROVED BY K.BURGNER	9/3/10	PRODUCT DESCRIPTION	REVERSED POLARIZED TNC JACK	
PROJECTION 	COLOR VARIATIONS MAY OCCUR	SIZE A	FSCM NO. 43321	DWG. NO. ARTJ-1708	REV. D
		SCALE: NONE	CAD FILE: ARTJ-1708.SLDDRW		SHEET 1 OF 1