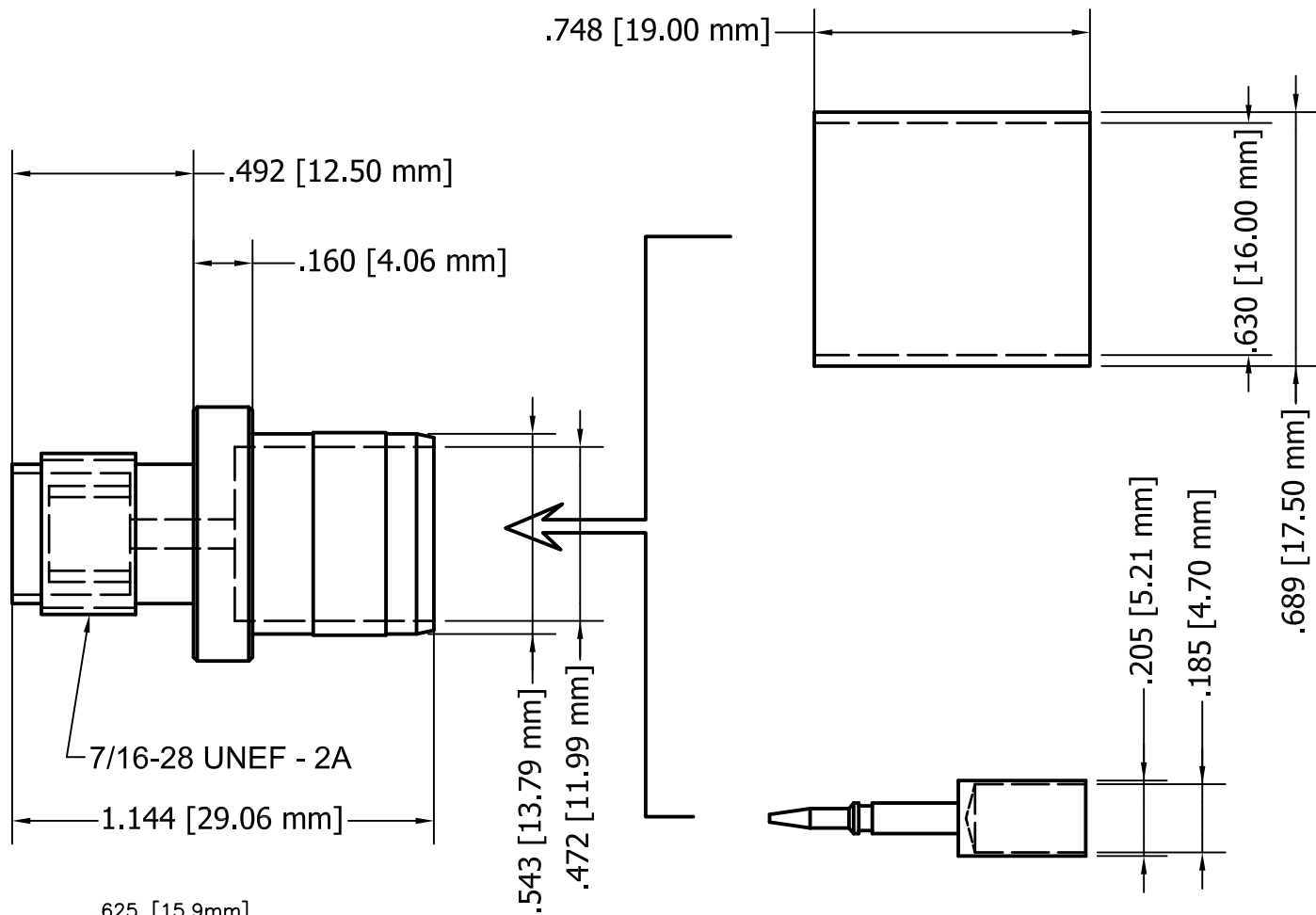
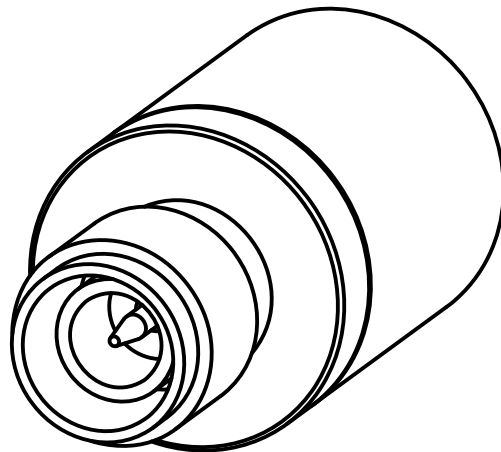


DESCRIPTION	MATERIAL	FINISH
BODY	BRASS	NICKEL
PIN	BRASS	GOLD
INSULATION	TEFLON	NONE
WASHER, PR FIT	BRASS	NICKEL
FERRULE	BRASS	NICKEL



- NOTES:
1. UNLESS OTHERWISE SPECIFIED ALL DIMENSIONS ARE NOMINAL.
  2. ALL SPECIFICATIONS ARE SUBJECT TO CHANGE WITHOUT NOTICE AT ANY TIME.

				SIZE	TITLE:			
				A	CRIMP: TNC FEMALE REVERSE POLARITY			
REV	ECN No.	DATE	DESCRIPTION	DRAWN BY	JC	1/07/2005	DRAWING No.	REV
				ORIGINATOR	JC	1/07/2005	ARTJ-1606	A
				APPROVAL	P PESA	1/07/2005	PART No.	ARTJ-1606
				SCALE 1:1	SHEET 1/1	MATERIAL NOTED	FILE No.	ARTJ-1606



Website: www.L-com.com  
 Tel: 1-800-343-1455  
 Copyright © 2009 L-com, Inc.  
 All rights reserved.