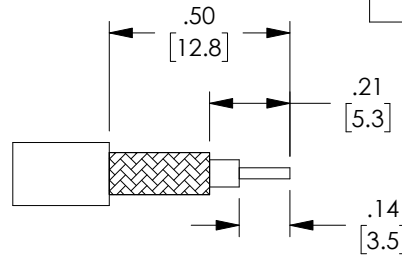


THE INFORMATION CONTAINED IN THIS DRAWING IS THE SOLE PROPERTY OF L-COM, INC. ANY REPRODUCTION IN PART OR WHOLE WITHOUT THE WRITTEN PERMISSION OF L-COM, INC. IS PROHIBITED.

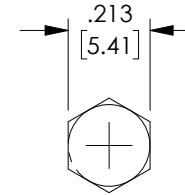
RoHS Compliant ✓

REVISIONS			
REV	DESCRIPTION	DATE	APPROVED
B	ECN 6508 REDRAW IN NEW FORMAT, UPDATE CRIP PIN .042	11/8/12	D.GRIFFIN

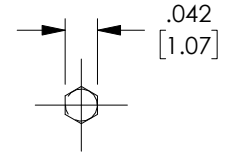
DESCRIPTION	MATERIAL	FINISH
BODY	BRASS	NICKEL PLATE
CENTER CONTACT	BRASS	GOLD PLATE
OUTER CONTACT	BRASS	NICKEL PLATE
FERULE	BRASS	NICKEL PLATE
INSULATOR	PTFE	-



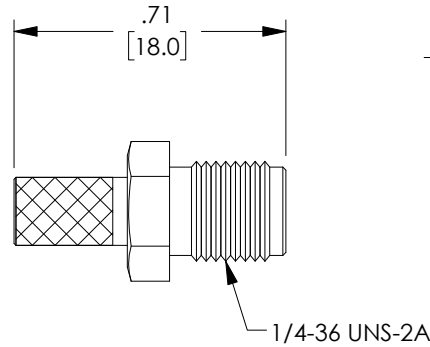
RECOMMENDED CABLE STRIPPING



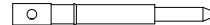
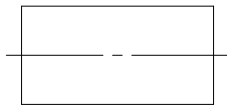
RECOMMENDED CRIMP SIZE



RECOMMENDED PIN CRIMP SIZE



1/4-36 UNS-2A



NOTES:

ELECTRICAL:

IMPEDANCE: 50 OHM
 WITHSTAND VOLTAGE: 1000V
 FREQUENCY RANGE: 0 ~ 6GHz
 VSWR: ≤1.50 @ 0 TO 6 GHz
 DURABILITY: ≥ 500 CYCLES
 CABLE RETENTION: > 30 LBS

MISCELLANEOUS:

COMPONENT SHALL BE INDIVIDUALLY PACKAGED IN ACCORDANCE WITH L-COM SPECIFICATION PS-0031.

ALL DIMENSIONS ARE FOR REFERENCE ONLY.

UNLESS OTHERWISE SPECIFIED, DIMENSIONS ARE IN INCHES [mm] OVERALL CABLE LENGTH TOLERANCE: ≤12 [305] = +1 [25] / -0 >12 [305] ≤60 [1524] = +2 [51] / -0 >60 [1524] ≤120 [3048] = +4 [102] / -0 >120 [3048] ≤300 [7620] = +6 [152] / -0 >300 [7620] = +5% / -0% ALL OTHER DIMENSIONAL TOLERANCES: .X = ±.2 [5.08] .XX = ±.02 [51] .XXX = ±.005 [1.27]	APPROVALS DRAWN BY D.FRISIELLO	DATE 11/6/12	50 HIGH STREET NORTH ANDOVER, MA 01845
	CHECKED BY K.BURGNER	11/6/12	
PROJECTION 	CONFIGURATION DETAILS OF UNDIMENSIONED FEATURES MAY VARY	PRODUCT DESCRIPTION CON,RP-SMA JACK CRIMP LMR195	REV. B
COLOR VARIATIONS MAY OCCUR	SIZE A	FSCM NO. 43321	DWG. NO. ARSJ-1700
SCALE: NONE		CAD FILE: ARSJ-1700.SLDDRW	
SHEET 1 OF 1			SHEET 1 OF 1