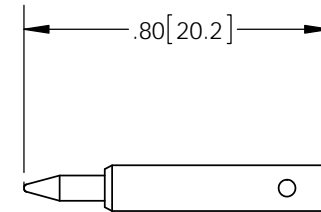
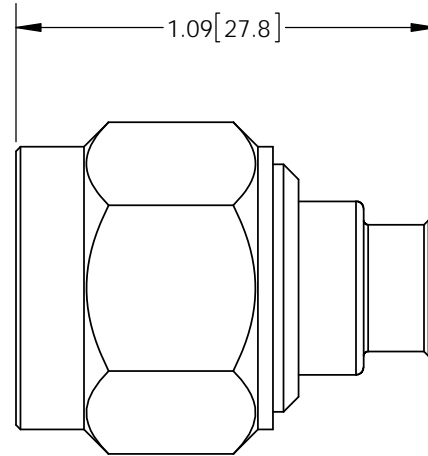
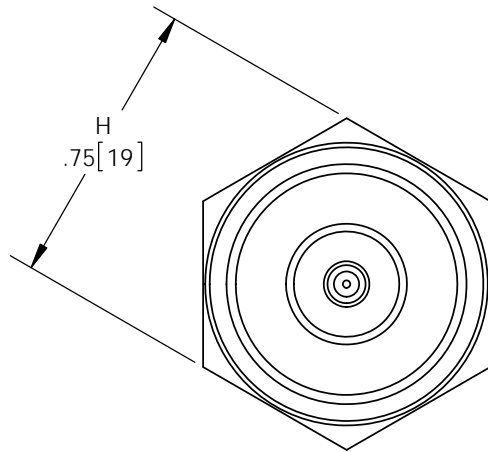


THE INFORMATION CONTAINED IN THIS DRAWING IS THE SOLE PROPERTY OF L-COM, INC. ANY REPRODUCTION IN PART OR WHOLE WITHOUT THE WRITTEN PERMISSION OF L-COM, INC. IS PROHIBITED.

REVISIONS			
REV	DESCRIPTION	DATE	APPROVED
A	INITIAL RELEASE	10/28/15	D.GRIFFIN

DESCRIPTION	MATERIAL	FINISH
BODY	BRASS	CuSnZn3
INSULATOR	PTFE	---
CENTER CONTACT	BRASS	SILVER



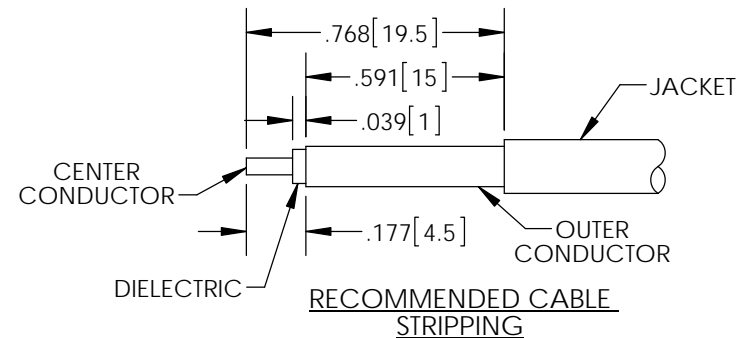
**NOTES:**

**ELECTRICAL:**  
 IMPEDANCE: 50 OHM  
 FREQUENCY RANGE: DC~2.7 GHz  
 VSWR:  $\leq 1.12$   
 PASSIVE INTERMODULATION(PIM):  $\leq -160\text{dBc}@900\text{MHz}$   
 DIELECTRIC WITHSTANDING VOLTAGE: 1500V  
 INSULATION RESISTANCE:  $\geq 5000\text{M OHM}$   
 CONTACT RESISTANCE:  
     CENTER CONTACT:  $\leq 1.0\text{m OHM}$   
     OUTER CONTACT:  $\leq 1.0\text{m OHM}$

**MECHANICAL:**  
 DURABILITY:  $\geq 500$   
 INTERFACE DIMENSIONS CONFORMABLE TO IEC 169-16

**PACKAGING:**  
 COMPONENT SHALL BE INDIVIDUALLY PACKAGED IN ACCORDANCE WITH L-COM SPECIFICATION PKG-00012

**REGULATORY COMPLIANCE:**  
 CE2011/65/EU(RoHS DIRECTIVE)



UNLESS OTHERWISE SPECIFIED, DIMENSIONS ARE IN INCHES [mm]  DIMENSIONAL TOLERANCES: .X = $\pm 0.1$ [2.54] .XX = $\pm 0.01$ [.25] .XXX = $\pm 0.005$ [.13]  ANGULAR TOLERANCES: ALL = $\pm 1^\circ$	APPROVALS B.PUCHASKI CHECKED BY K.BURGNER APPROVED BY P.PESA	DATE 09/28/15 09/28/15 09/28/15	45 BEECHWOOD DRIVE NORTH ANDOVER, MA 01845		
	CATEGORY COAXIAL				
	CONFIGURATION DETAILS OF UNDIMENSIONED FEATURES MAY VARY		PRODUCT DESCRIPTION N-MALE CONNECTOR, PIM RATED FOR RG401		
	PROJECTION 	COLOR VARIATIONS MAY OCCUR	SIZE <b>A</b>	FSCM NO. <b>43321</b>	DWG. NO. <b>ANM-1P100</b>