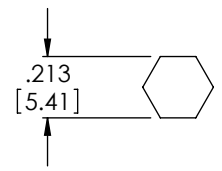
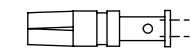
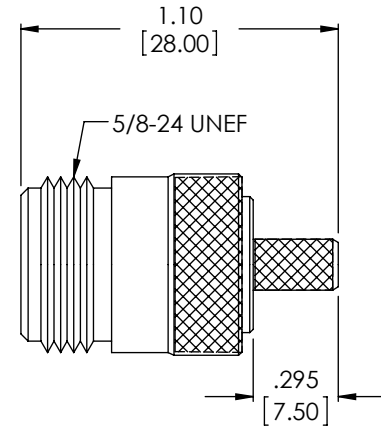


THE INFORMATION CONTAINED IN THIS DRAWING IS THE SOLE PROPERTY OF L-COM, INC. ANY REPRODUCTION IN PART OR WHOLE WITHOUT THE WRITTEN PERMISSION OF L-COM, INC. IS PROHIBITED.

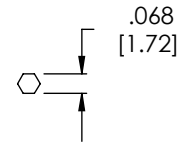
REVISIONS			
REV	DESCRIPTION	DATE	APPROVED
A	INITIAL RELEASE	6/24/03	A. VAJANYI
B	ECN 5098: REDRAWN, UPDATE FORMAT & NOTES	10/25/10	D. CASTRO
C	ECN 5296: ADD MATERIALS BLOCK	2/11/11	D.FRISIELLO



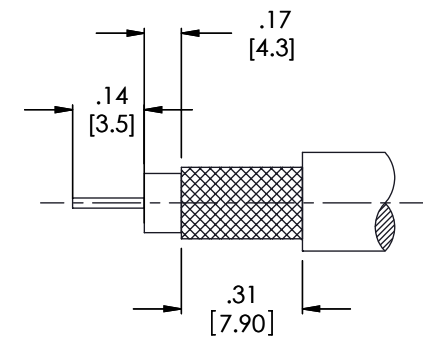
DESCRIPTION	MATERIAL	FINISH
BODY	BRASS	NICKEL PLATE
CENTER PIN	BRASS	GOLD PLATE
INSULATOR	PTFE	-
FERRULE	BRASS	NICKEL PLATE



RECOMMENDED FERRULE CRIMP SIZE



RECOMMENDED PIN CRIMP SIZE



RECOMMENDED CABLE STRIPPING DIMS

NOTES:

ELECTRICAL:

IMPEDANCE: 50 OHMS
 FREQUENCY RANGE: DC-6GHZ
 INSULATION RESISTANCE: 5000MΩ
 CENTER CONTACT RESISTANCE: < 1.5mΩ
 OUTER CONTACT RESISTANCE: < 2.5mΩ
 WORKING VOLTAGE: 500V
 DIELECTRIC WITHSTAND VOLTAGE: 1500V rms

MISCELLANEOUS:

COMPONENTS SHALL BE INDIVIDUALLY PACKAGED IN ACCORDANCE WITH L-COM SPECIFICATIONS PS-0031.

ALL DIMENSIONS ARE FOR REFERENCE ONLY.

RoHS Compliant ✓

UNLESS OTHERWISE SPECIFIED, DIMENSIONS ARE IN INCHES [mm] OVERALL CABLE LENGTH TOLERANCE: ≤12 [305] = +1 [25] / -0 >12 [305] ≤60 [1524] = +2 [51] / -0 >60 [1524] ≤120 [3048] = +4 [102] / -0 >120 [3048] ≤300 [7620] = +6 [152] / -0 >300 [7620] = +3% / -0%	APPROVALS	DATE		45 BEECHWOOD DRIVE NORTH ANDOVER, MA 01845
	DRAWN BY A. VAJANYI	6/24/03		
ALL OTHER DIMENSIONAL TOLERANCES: .X = ±.2 .XX = ±.02 .XXX = ±.005	CHECKED BY A. VAJANYI	6/24/03	CATEGORY COAXIAL	
	APPROVED BY P. PESA	6/24/03	PRODUCT DESCRIPTION CON,N-FEMALE CRIMP 195 SERIES	
PROJECTION 	COLOR VARIATIONS MAY OCCUR	SIZE A	FSCM NO. 43321	DWG. NO. ANF-1700
1AB04-018		SCALE: NONE	CAD FILE: ANF-1700.SLDDRW	SHEET 1 OF 1