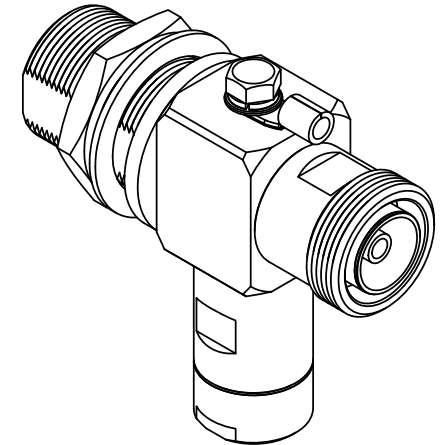
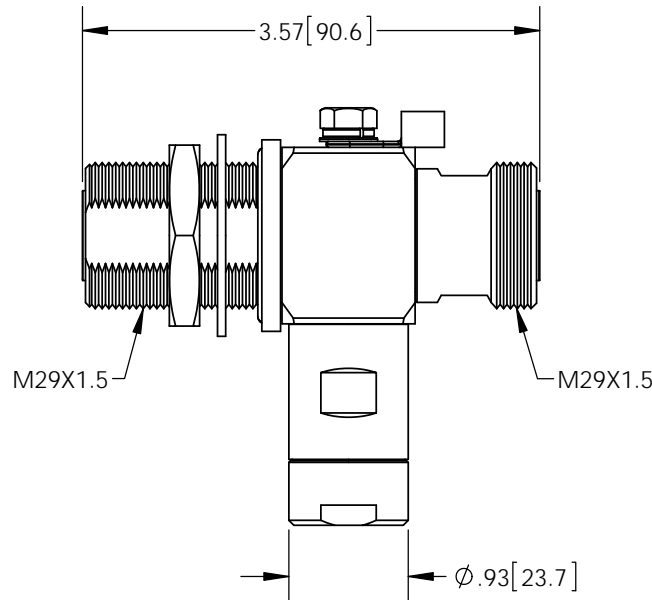
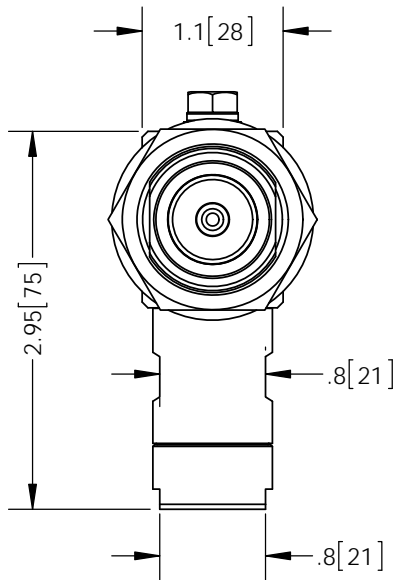


THE INFORMATION CONTAINED IN THIS DRAWING IS THE SOLE PROPERTY OF L-COM, INC. ANY REPRODUCTION IN PART OR WHOLE WITHOUT THE WRITTEN PERMISSION OF L-COM, INC. IS PROHIBITED.

REVISIONS			
REV	DESCRIPTION	DATE	APPROVED
A	INITIAL RELEASE	10/28/15	D.GRIFFIN

DESCRIPTION	MATERIAL	FINISH
SHELL-BODY	NON-MAGNETIC	CuSnZn3
CONDUCTOR	PHOSPHOR BRONZE	CuSnZn3
NUT	BRASS	NICKEL
INSULATOR	TEFLON	---
O-RING	SILICONE RUBBER	---




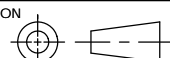
NOTES:

ELECTRICAL:
 IMPEDANCE: 50 OHM
 FREQUENCY RANGE: 800 ~ 2,250 MHz
 VSWR: ≤ 1.2
 PASSIVE INTERMODULATION (PIM): ≤ -150dBc
 DIELECTRIC WITHSTANDING VOLTAGE: 4000V (RMS)
 INSULATION RESISTANCE: ≥ 10,000 OHM
 CONTACT RESISTANCE:
 CENTER CONTACT: ≤ 0.4m OHM
 OUTER CONTACT: ≤ 1.5m OHM
 INSERTION LOSS: ≤ 0.2dB

MECHANICAL:
 DURABILITY: ≥ 500
 TEMPERATURE RANGE: -40°C TO +85°C

PACKAGING:
 COMPONENT SHALL BE INDIVIDUALLY PACKAGED IN ACCORDANCE WITH L-COM SPECIFICATION PKG-00012

REGULATORY COMPLIANCE:
 CE2011/65/EU (RoHS DIRECTIVE)

UNLESS OTHERWISE SPECIFIED, DIMENSIONS ARE IN INCHES [mm] DIMENSIONAL TOLERANCES: .X = ±.1 [2.54] .XX = ±.01 [25] .XXX = ±.005 [13] ANGULAR TOLERANCES: ALL = ± 1°	APPROVALS	DATE	 45 BEECHWOOD DRIVE NORTH ANDOVER, MA 01845
	DRAWN BY B.PUCHASKI CHECKED BY K.BURGNER APPROVED BY P.PESA	09/30/15 09/30/15 09/30/15	
PROJECTION	CONFIGURATION DETAILS OF UNDIMENSIONED FEATURES MAY VARY		PRODUCT DESCRIPTION
	COLOR VARIATIONS MAY OCCUR	SIZE A FSCM NO. 43321 DWG. NO. ALQP-DFDFB	7/16 DIN FEMALE TO 7/16 DIM FEMALE BULKHEAD PIM RATED LIGHTNING PROTECTOR
SCALE: NONE		CAD FILE: ALOP-DFDFB.SLDDRW	SHEET 1 OF 1