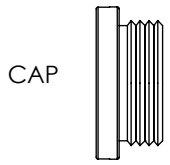


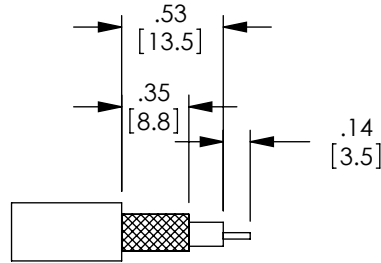
THE INFORMATION CONTAINED IN THIS DRAWING IS THE SOLE PROPERTY OF L-COM, INC. ANY REPRODUCTION IN PART OR WHOLE WITHOUT THE WRITTEN PERMISSION OF L-COM, INC. IS PROHIBITED.

REVISIONS			
REV	DESCRIPTION	DATE	APPROVED
A	INITIAL RELEASE	3/24/10	D.GRIFFIN

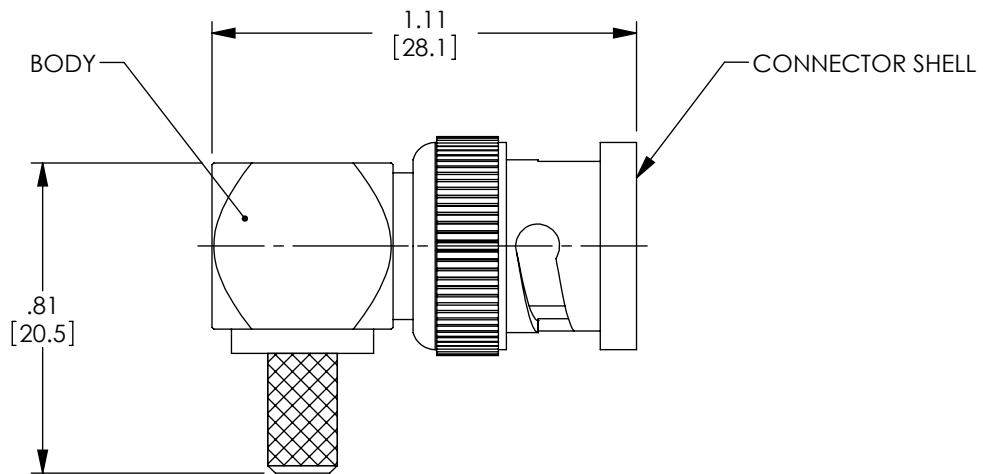
DESCRIPTION	MATERIAL	FINISH
CONNECTOR SHELL	DIECAST	NICKEL PLATING
CONNECTOR BODY	BRASS	NICKEL PLATING
CONTACT PIN	BRASS	GOLD PLATING
FERRULE	BRASS	NICKEL PLATING
INSULATOR	ACETAL	-
CAP	BRASS	NICKEL PLATING



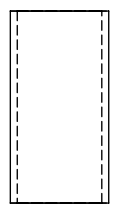
CAP



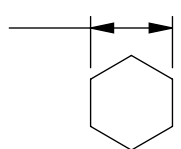
RECOMMENDED CABLE STRIPPING



FERRULE



.213 [5.41]



RECOMMENDED CRIMP SIZE

(PIN TO BE SOLDERED)

NOTES:
ELECTRICAL:
 IMPEDANCE: 50 OHMS.
 DIELECTRIC WITHSTANDING VOLTAGE: 1500 V RMS.
 FREQUENCY RANGE: DC ~ 4 GHz
 DURABILITY: ≥ 500 CYCLES.
 CABLE RETENTION: 30 LBS PULL

MISCELLANEOUS:
 FOR USE WITH LMR195, RG58 CABLE.

ALL DIMENSIONS ARE FOR REFERENCE ONLY.

COMPONENT SHALL BE INDIVIDUALLY PACKAGED IN ACCORDANCE WITH L-COM SPECIFICATION PS-0031.

RoHS Compliant ✓

UNLESS OTHERWISE SPECIFIED, DIMENSIONS ARE IN INCHES [mm] DIMENSIONAL TOLERANCES: .X = ±.1 .XX = ±.01 .XXX = ±.005 ANGULAR TOLERANCES: ALL = ± 1°	APPROVALS	DATE		45 BEECHWOOD DRIVE NORTH ANDOVER, MA 01845	
	DRAWN BY D.FRISIELLO	3/23/10			
	CHECKED BY K.BURGNER	3/23/10	CATEGORY COAXIAL		
	APPROVED BY K.BURGNER	3/23/10	PRODUCT DESCRIPTION 50 OHM RIGHT ANGLE BNC PLUG		
PROJECTION 	COLOR VARIATIONS MAY OCCUR	SIZE A	FSCM NO. 43321	DWG. NO. ABM-1702	REV. A
		SCALE: NONE	CAD FILE: ABM-1702.SLDDRW		SHEET 1 OF 1